

AMU Series JIC Size Junction Boxes: Lift-Off Screw Cover - Clear Polycarbonate

APPLICATION

- Designed to insulate and protect controls and components in both indoor and outdoor applications often found in oil refineries, waste water treatment equipment, and chemical plants
- Especially well suited for high temperature or corrosive environments
- Protects from dirt, dust, oil, and water
- For use with industrial control equipment in ordinary locations
- Clear/polycarbonate, instrumentation cover used in applications where critical electronic equipment must be visible and protected from the elements

STANDARDS

- UL Types 1, 2, 3, 4, 4X, 6P, 12, and 13
- CSA Types 1, 2, 3, 3R, 4, 4X, 6P, 12 and 13
- NEMA Types 1, 2, 3, 3R, 4, 4X, 6P, 12 and 13
- IEC 60529 Type IP68 submersible up to 24 hours at a depth of 6 feet (1.8meters)
- Enclosure flammability rating per UL® 508
- Joint Industrial Council (JIC) enclosure sizing
- Compliant with RoHS directive (Restriction of Hazardous Substances)

CONSTRUCTION

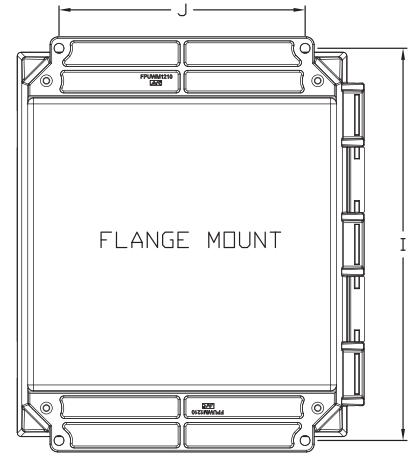
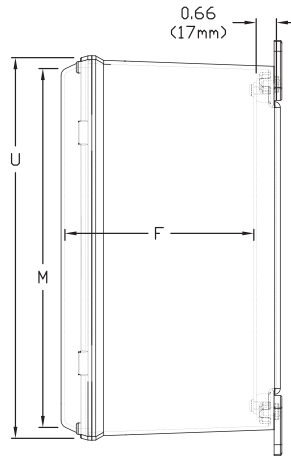
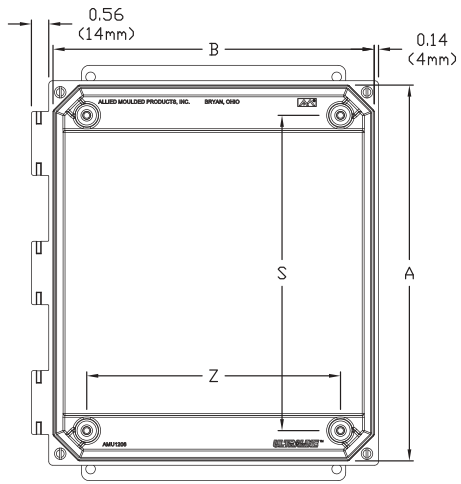
- Compression molded fiberglass reinforced polyester construction with flush, clear polycarbonate cover
- Allied Moulded Ultraguard® fiberglass reinforced polyester material formulation - UV stabilized for outdoor use
- Light gray color (RAL 7035)
- Clear, polycarbonate instrumentation cover
- 304 stainless steel captive cover screws
- Gasket made of closed cell neoprene cord encased in a continuous tongue and groove channel
- Polycarbonate flanges (installed) or mounting feet (bagged) with four 304 stainless steel screws
- 10-32 threaded brass inserts are installed for back panel mounting

ACCESSORIES

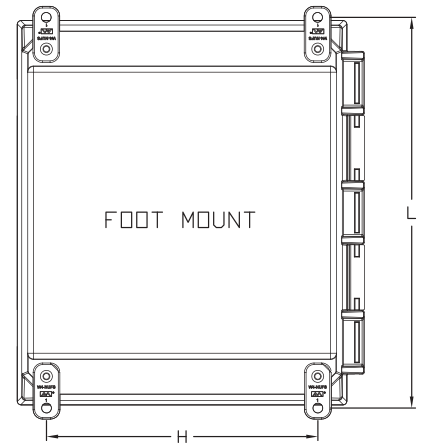
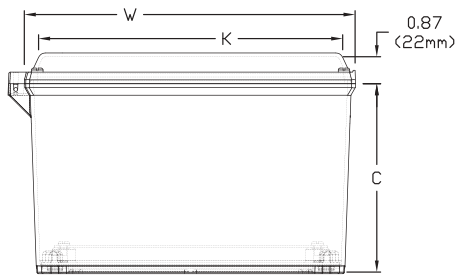
- Optional back panels and hinged front panels
- Optional thermal management products

MODIFICATIONS

- Custom holes and cutouts
- Molded-in color matches
- EMI/RFI shielding
- Factory-supplied silk screening



Note: Cover Removed for Clarity



| Part No. | Box Size | | | Usable Depth F | Panel Boss Centers | | Flange Mount Centers | | Foot Mount Centers | | Cover Size | | | | Nom. Wall Thickness |
|---------------|----------------|----------------|---------------|-------------------|--------------------|----------------|----------------------|----------------------------|--------------------|----------------|----------------|----------------|----------------|----------------|---------------------|
| | A | B | C | | S | Z | J | I | H | L | K | M | W | U | |
| AMU664CC(F*) | 6.05 154mm | 6.27 159mm | 4.13 105mm | 4.11 104mm | 4.25 108mm | 4.25 108mm | 4.00 102mm | 6.88, 6.75 175, 171mm | 4.91 125mm | 6.75 171mm | 5.89 150mm | 5.67 144mm | 6.72 171mm | 6.50 165mm | 0.13 3 mm |
| AMU864CC(F*) | 8.05 204mm | 6.27 159mm | 4.13 105mm | 4.11 104mm | 6.25 159mm | 4.25 108mm | 4.00 102mm | 8.88, 8.75 226, 222mm | 4.91 125mm | 8.75 222mm | 5.89 150mm | 7.67 195mm | 6.72 171mm | 8.50 216mm | 0.13 3 mm |
| AMU1084CC(F*) | 10.05 255mm | 8.27 210mm | 4.13 105mm | 4.11 104mm | 8.25 210mm | 6.25 159mm | 6.00 152mm | 10.75 273mm | 6.91 176mm | 10.75 273mm | 7.89 200mm | 9.67 246mm | 8.72 221mm | 10.50 267mm | 0.13 3 mm |
| AMU1206CC(F*) | 12.05 306mm | 10.27 261mm | 6.13 156mm | 6.11 155mm | 10.25 260mm | 8.25 210mm | 8.00 203mm | 12.75 324mm | 8.82 224mm | 12.70 323mm | 9.89 251mm | 11.67 296mm | 10.72 272mm | 12.50 318mm | 0.13 3 mm |
| AMU1426CC(F*) | 14.05 357mm | 12.27 312mm | 6.13 156mm | 6.11 155mm | 12.25 311mm | 10.25 260mm | 10.00 254mm | 14.75, 14.62 375, 371mm | 10.82 275mm | 14.70 373mm | 11.89 302mm | 13.67 347mm | 12.72 323mm | 14.50 368mm | 0.13 3 mm |
| AMU1648CC(F*) | 16.05 408mm | 14.27 362mm | 8.13 207mm | 8.11 206mm | 14.25 362mm | 12.25 311mm | 12.00 305mm | 16.75 425mm | 11.47 291mm | 16.91 430mm | 13.89 353mm | 15.67 398mm | 14.72 374mm | 16.50 419mm | 0.14 4 mm |

*Enclosure base part numbers come standard with 4 separately bagged feet (ex. AMU664CC)

Add "F" to the part number for factory installed flanges (ex. AMU664CCF)

"I" dimensions with multiple numbers indicate slotted holes

All dimensions are in inches unless otherwise noted



Order Today: 419-636-4217, Fax: 419-636-2450, e-mail: sales@alliedmoulded.com