

AM Series Pushbutton Enclosures: Inline Lift-Off Screw Cover

APPLICATION

- Designed to insulate and house pushbuttons and switches in applications that require a human-machine interface
- Especially well suited for high temperature or corrosive environments
- Protects from dirt, dust, oil and water
- For use with industrial control equipment in ordinary locations

STANDARDS

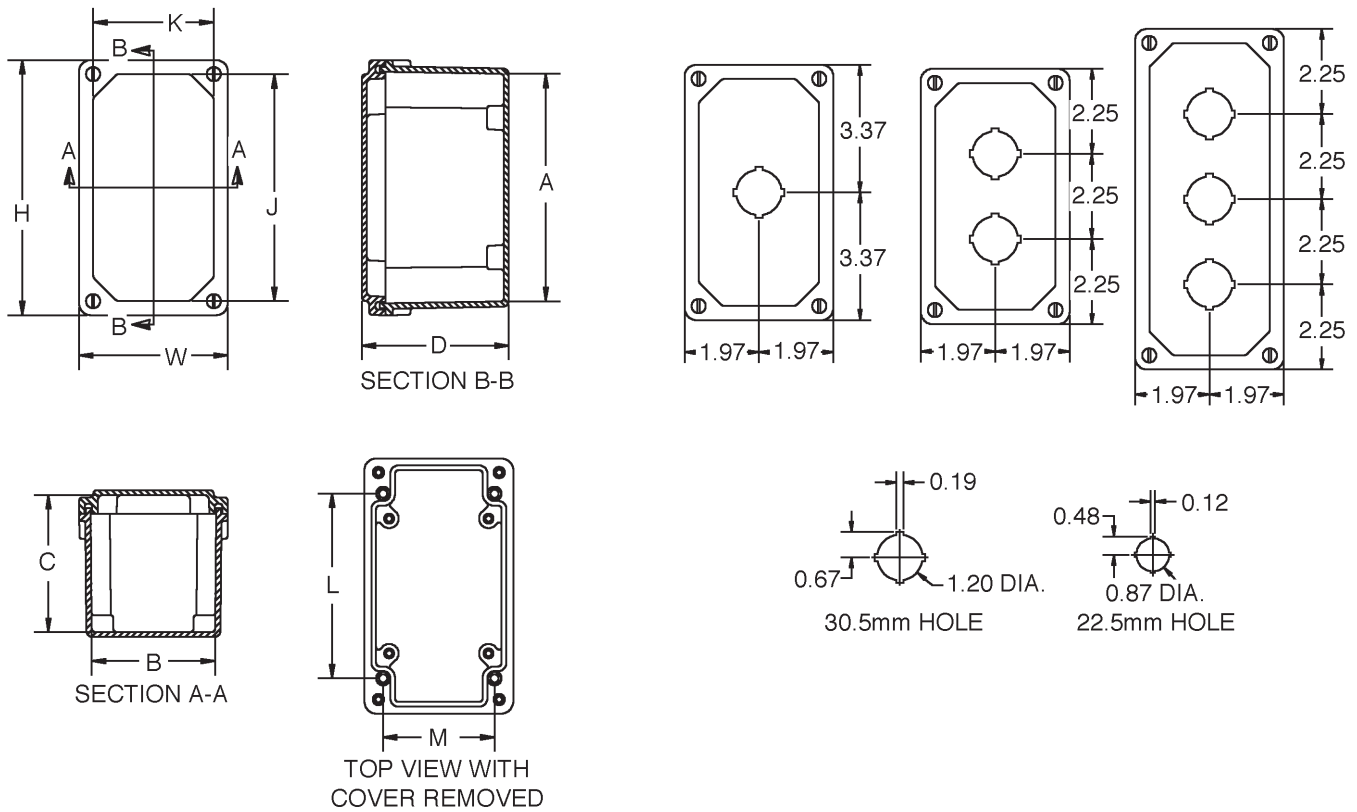
- UL Types 1, 2, 3, 4, 4X, 12, and 13
- CSA Types 1, 2, 3, 3R, 4, 4X, 12 and 13
- NEMA Types 1, 2, 3, 3R, 4, 4X, 12 and 13
- IEC 60529 Type IP66
- Compliant with RoHS directive (Restriction of Hazardous Substances)

CONSTRUCTION

- Rugged, molded Ultraguard® fiberglass reinforced polyester material construction with reinforced corners
- Available with either 30.5mm or 22.5mm holes
- 304 stainless steel captive cover screws
- "Tongue and groove" type closed-cell neoprene gasket
- Grounding strap included
- UV stabilized for outdoor use

MODIFICATIONS

- Molded-in color matches
- EMI/RFI shielding
- Factory-supplied silk screening



Part No.	Overall			Inside			J	K	L	M	Holes	Size
	H	W	D	A	B	C						
AM1PB	6.74 171mm	3.93 100mm	3.88 99mm	6.01 153mm	3.26 83mm	3.63 92mm	6.13 156mm	3.31 84mm	4.88 124mm	2.94 75mm	1 1	1.20 30.5mm
AM1PB22	6.74 171mm	3.93 100mm	3.88 99mm	6.01 153mm	3.26 83mm	3.63 92mm	6.13 156mm	3.31 84mm	4.88 124mm	2.94 75mm	1 1	0.87 22.5mm
AM2PB	6.74 171mm	3.93 100mm	3.88 99mm	6.01 153mm	3.26 83mm	3.63 92mm	6.13 156mm	3.31 84mm	4.88 124mm	2.94 75mm	2 2	1.20 30.5mm
AM2PB22	6.74 171mm	3.93 100mm	3.88 99mm	6.01 153mm	3.26 83mm	3.63 92mm	6.13 156mm	3.31 84mm	4.88 124mm	2.94 75mm	2 2	0.87 22.5mm
AM3PB	8.99 228mm	3.93 100mm	3.88 99mm	8.26 210mm	3.26 83mm	3.63 92mm	8.31 211mm	3.31 84mm	7.13 181mm	2.94 75mm	3 3	1.20 30.5mm
AM3PB22	8.99 228mm	3.93 100mm	3.88 99mm	8.26 210mm	3.26 83mm	3.63 92mm	8.31 211mm	3.31 84mm	7.13 181mm	2.94 75mm	3 3	0.87 22.5mm

All dimensions are in inches unless otherwise noted.



Order Today: 419-636-4217, Fax: 419-636-2450, e-mail: sales@alliedmoulded.com