

## AM Series JIC Size Junction Boxes: Twist Latch Hinged Cover With Window

### APPLICATION

- Designed to insulate and house electrical and electronic controls, instruments or components for indoor and outdoor applications
- Especially well suited for high temperature or corrosive environments
- Protects from dirt, dust, oil and water
- Window unit provides viewing area for instrumentation or equipment

### STANDARDS

- UL Types 1, 2, 3, 4, 4X, 12, and 13
- CSA Types 1, 2, 3, 3R, 4, 4X, 12 and 13
- NEMA Types 1, 2, 3, 3R, 4, 4X, 12 and 13
- IEC 60529 Type IP66
- Compliant with RoHS directive (Restriction of Hazardous Substances)

### CONSTRUCTION

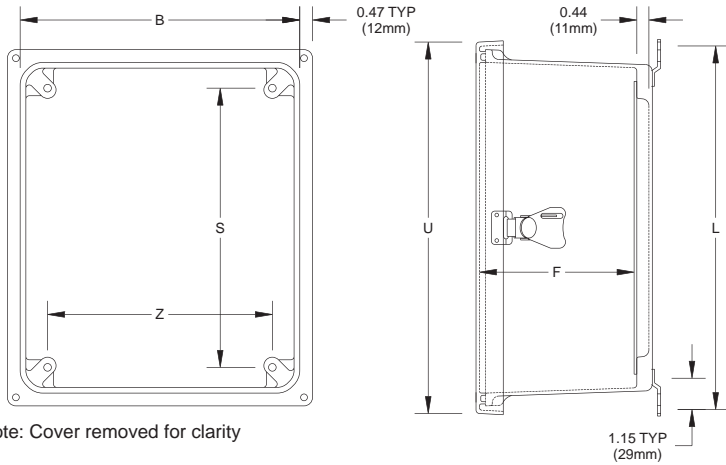
- Strong, molded Ultraguard® fiberglass reinforced polyester material construction with matching flat cover
- UV resistant polycarbonate viewing window
- 304 stainless steel twist latches feature padlock hasp
- Continuous stainless steel hinge
- Gasket made of closed cell neoprene cord encased in a continuous channel
- 304 stainless steel wall mounting feet with 10-32 stainless steel screws included
- 10-32 threaded inserts are installed for optional back panel
- JIC sizing
- Ultraguard® fiberglass material is easily punched, drilled or sawed
- UV stabilized for outdoor use

### ACCESSORIES

- Optional back panels (See table on pages 100-101.)
- Optional thermal management products (See pages 102-103.)

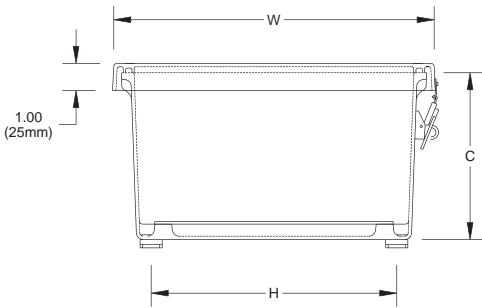
### MODIFICATIONS

- Custom holes and cutouts
- Custom size polycarbonate viewing windows
- Molded-in color matches
- Hinge installed on short side
- EMI/RFI shielding
- Factory-supplied silk screening



Note: Cover removed for clarity

LATCH LOCATIONS

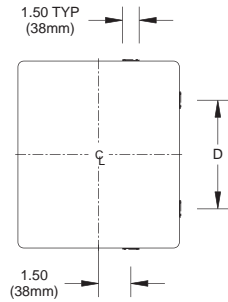
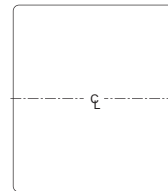
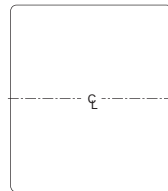


Nominal 1/8" (3mm) wall thickness

For use on  
6x6x4  
8x6x4  
10x8x4  
10x8x6

For use on  
12x10x6 D=8.00 (203mm)  
14x12x6 D=8.54 (217mm)  
16x14x8 D=8.54 (217mm)

For use on  
18x16x8 D=6.50 (165mm)  
20x16x8 D=10.52 (267mm)



Part No.	Box Size			Usable Depth	Panel Boss Centers		Foot Mount Centers		Cover Size		Window Dimension (height x width)
	A	B	C		F	S	Z	H	L	U	
AM664TW	6.10 155mm	6.10 155mm	4.18 106mm	3.76 96mm	4.25 108mm	4.25 108mm	5.01 127mm	7.32 186mm	7.69 195mm	7.69 195mm	4.25 X 4.25 108mm X 108mm
AM864TW	8.00 203mm	6.13 156mm	4.13 105mm	3.68 93mm	6.25 159mm	4.25 108mm	5.01 127mm	9.19 233mm	9.59 244mm	7.71 196mm	6.25 X 4.25 159mm X 108mm
AM1084TW	10.14 258mm	8.26 210mm	4.13 105mm	3.68 93mm	8.25 210mm	6.25 159mm	7.01 178mm	11.19 284mm	11.73 298mm	9.85 250mm	8.38 X 6.50 213mm X 159mm
AM1086TW	10.14 258mm	8.26 210mm	6.13 156mm	5.68 144mm	8.25 210mm	6.25 159mm	7.01 178mm	11.19 284mm	11.73 298mm	9.85 250mm	8.38 X 6.50 213mm X 159mm
AM1206TW	12.14 308mm	10.26 261mm	6.13 156mm	5.68 144mm	10.25 260mm	8.25 210mm	9.01 229mm	13.19 335mm	13.73 349mm	11.85 301mm	10.38 X 8.50 264mm X 216mm
AM1426TW	14.13 359mm	12.26 311mm	6.13 156mm	5.68 144mm	12.25 311mm	10.25 260mm	11.01 280mm	15.19 386mm	15.73 400mm	13.85 352mm	12.38 X 10.50 314mm X 267mm
AM1648TW	16.27 413mm	14.40 366mm	8.13 207mm	7.68 195mm	14.25 362mm	12.25 311mm	13.01 330mm	17.19 437mm	17.87 454mm	15.99 406mm	13.00 X 11.00 330mm X 279mm
AM1868TW	18.40 467mm	16.40 417mm	8.13 207mm	7.68 195mm	16.25 413mm	14.25 362mm	14.97 380mm	19.28 490mm	20.00 508mm	18.00 457mm	14.00 X 12.00 356mm X 305mm
AM2068TW	20.00 508mm	16.00 406mm	8.13 207mm	7.68 195mm	17.81 452mm	13.81 351mm	14.54 369mm	20.84 529mm	21.59 548mm	17.59 447mm	15.00 x 11.00 381mm X 279mm

All dimensions are in inches unless otherwise noted.



Order Today: 419-636-4217, Fax: 419-636-2450, e-mail: sales@alliedmoulded.com