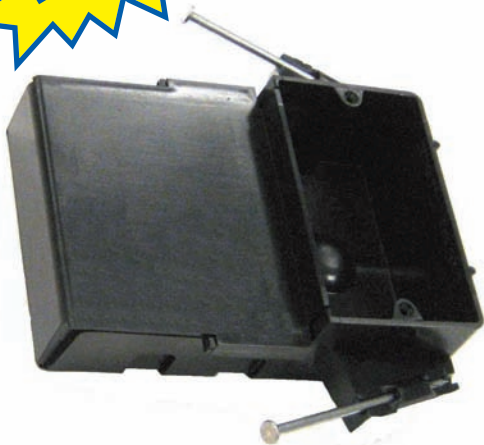
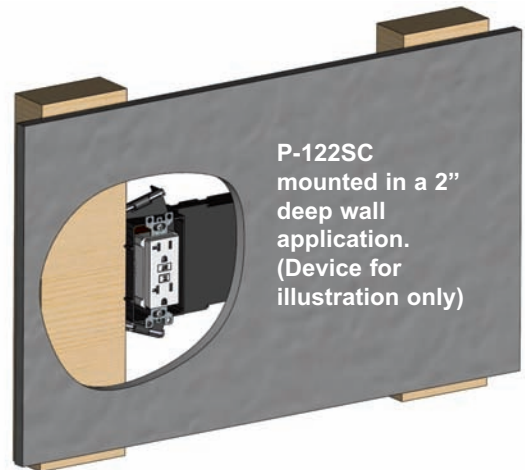
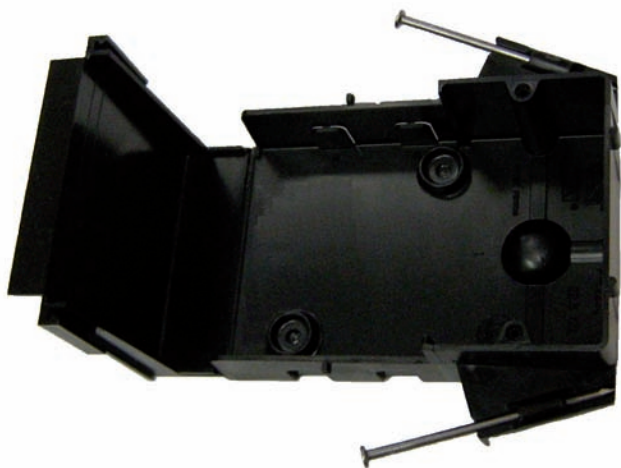


# Nail-On Shallow Wall Box



**P-122SC**



## FEATURES

- 24.0 cubic inch wiring capacity with single gang opening that addresses shallow wall cavities
- Fettering nails for a secure mounted installation
- Wire compartment is shipped in the open position for easy rough in wiring
- Recessed buttons for direct mounting in wood and masonry walls
- Accepts major manufacturers' GFCI's and specification grade devices
- Molded spline thread holes for secure device mounting
- Offset ribs position box at exact wallboard depth
- 2-HR UL<sup>®</sup> fire resistive wall rating
- Patent pending design

### Nail-On Side Cube

Cu. In. Volume	Catalog Number	Component Description	Outside Dimensions			UPC#	Pkg. Qty.
			D	W	H		
24.0	P-122SC	Angled mid-nails, four wire knockouts, two recessed buttons	1-23/32	2-9/32	3-3/4	24914	24

Also Available: Old Work Version  
9367-EW



**ALLIED MOULDED PRODUCTS, Inc.**

222 N. Union St.  
Bryan, OH 43506

PH: 419-636-4217 • FAX: 800-237-7269

[www.alliedmoulded.com](http://www.alliedmoulded.com)



FLUSH DEVICE BOX  
UL 714L  
File E-30594