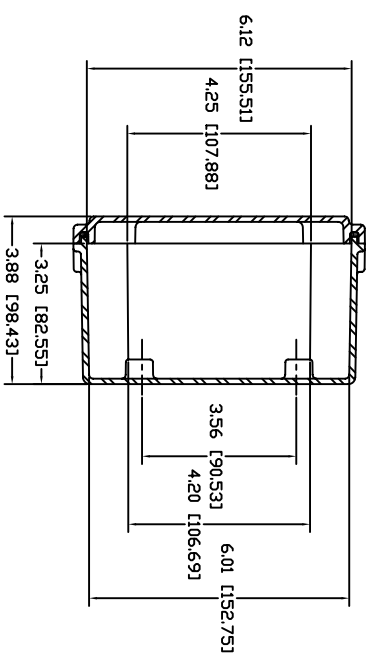
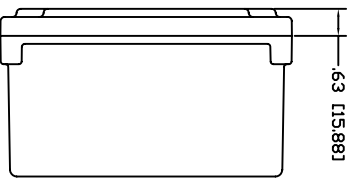
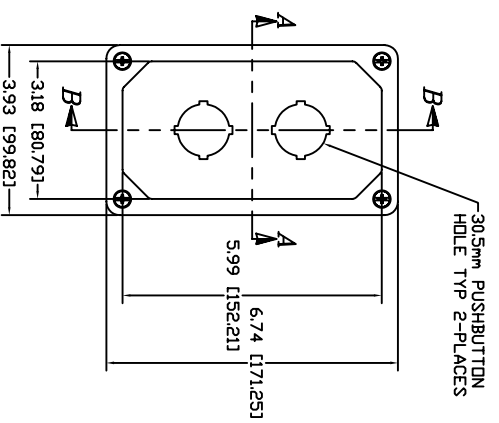
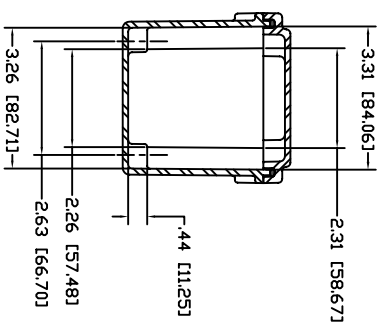


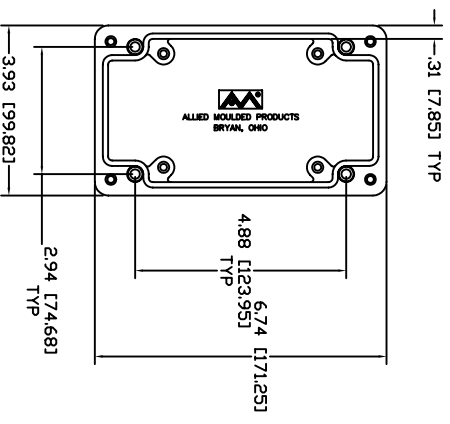
AM2PB



SECTION B-B



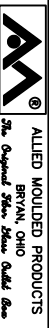
SECTION A-A



FRONT VIEW WITH LID REMOVED

MATERIAL:  
 BDX AND COVER - FIBERGLASS

THIS MATERIAL IS COVERED BY THE ALLIED PATENT RIGHTS AND IS REGISTERED IN THE UNITED STATES PATENT AND TRADEMARK OFFICE. ALLIED MOULDED PRODUCTS BRYAN, OHIO IS THE REGISTERED TRADE NAME OF THE COMPANY.



ALLIED MOULDED PRODUCTS  
 BRYAN, OHIO  
 3000 Highway 3000, Bryan, Ohio 43102  
 PRODUCT SERIES  
 AM-PB-JBOX