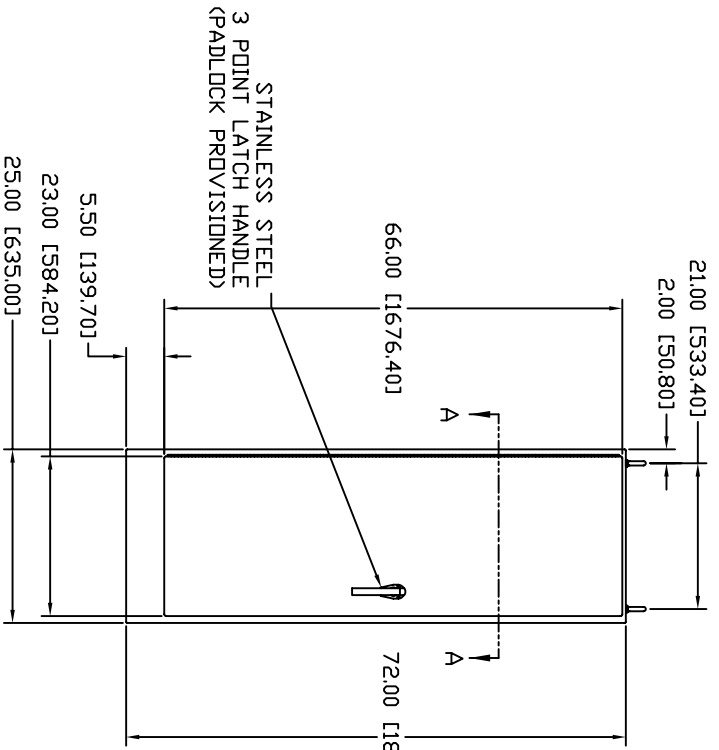
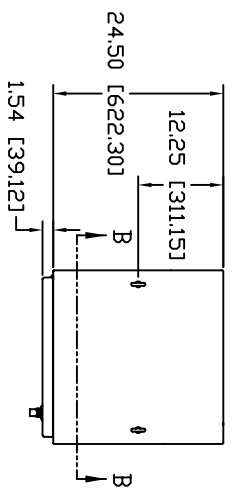
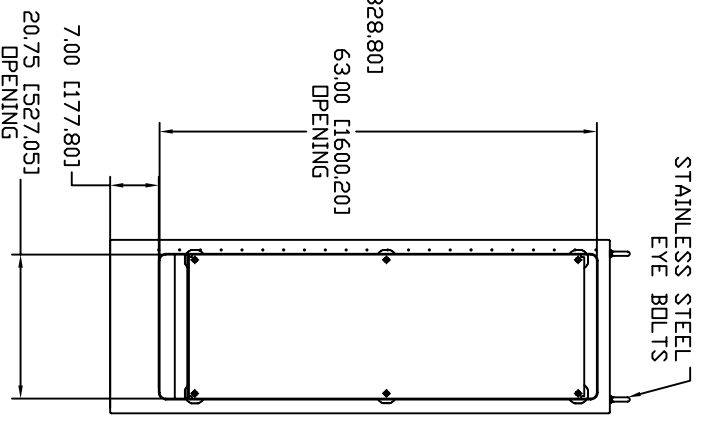


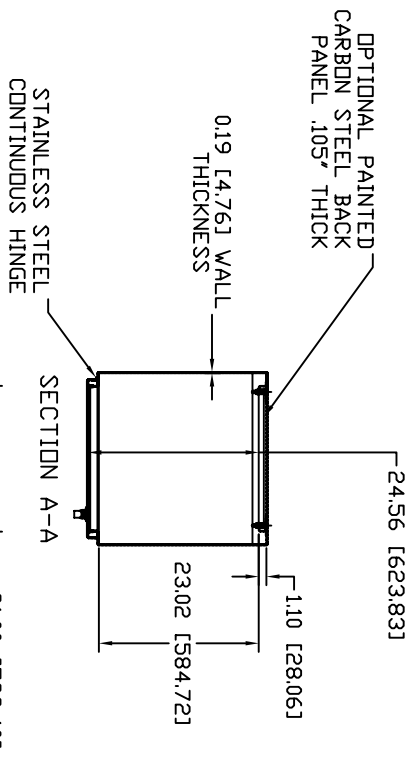
AM722525FS



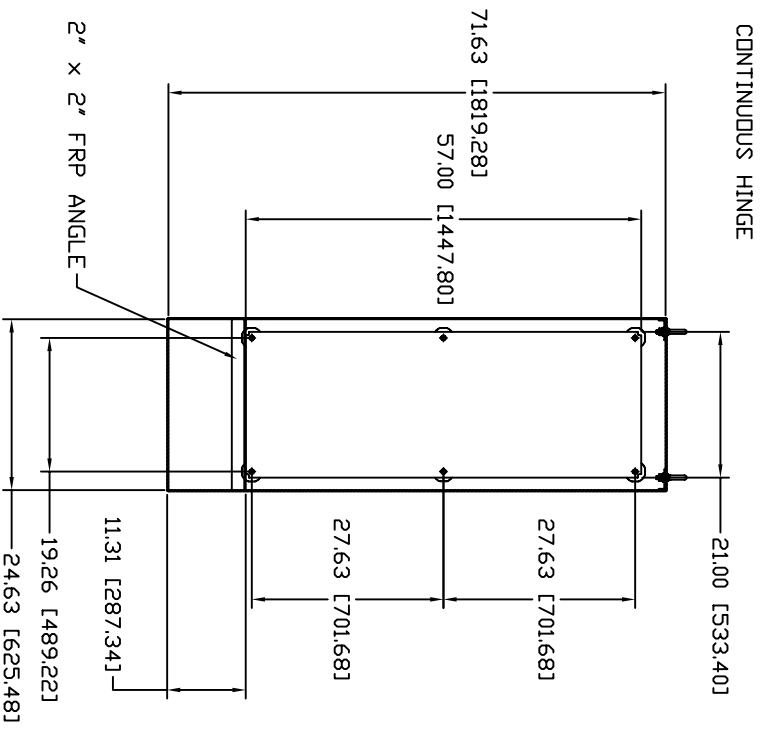
FRONT VIEW



FRONT VIEW WITH DOOR & GASKET REMOVED



SECTION A-A



SECTION B-B

MATERIAL:
BDX AND COVER - FIBERGLASS

THIS MATERIAL IS OWNED BY THE ALLIED
CORPORATION. IT IS TO BE USED ONLY IN
CONFORMANCE WITH THE SPECIFICATIONS AND
PERMISSION FROM THE ALLIED CORPORATION.
CONFIDENTIAL



ALLIED MOULDED PRODUCTS
BRYAN, OHIO
The Original Steel Shoe Mold Maker

PRODUCT SERIES
EMPIRE