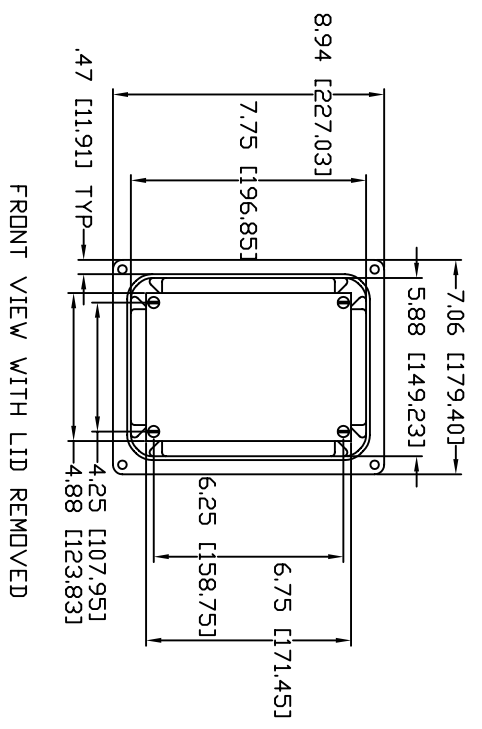
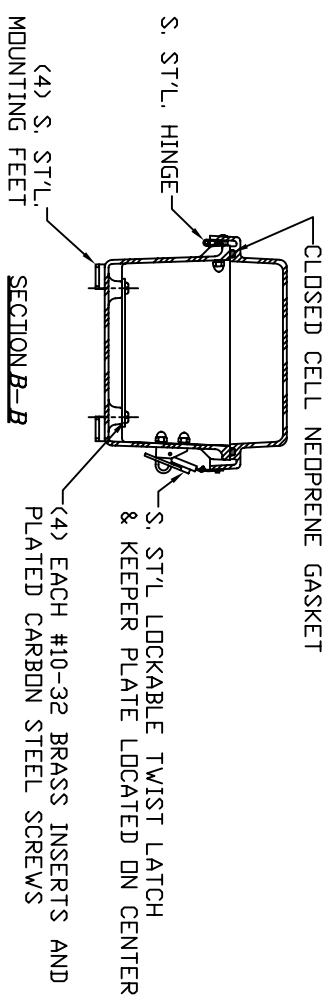
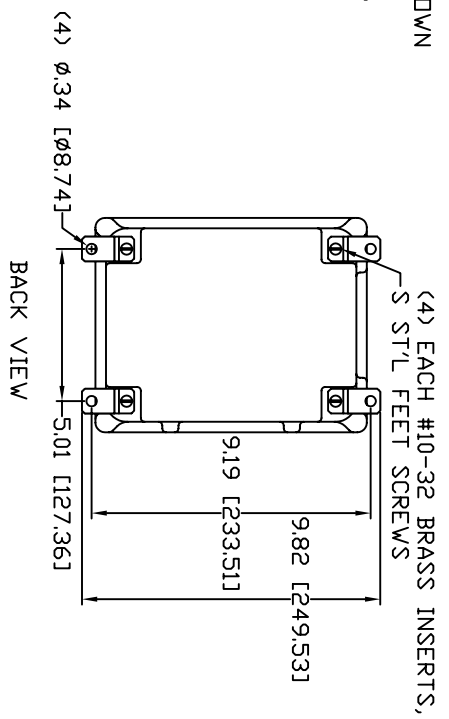
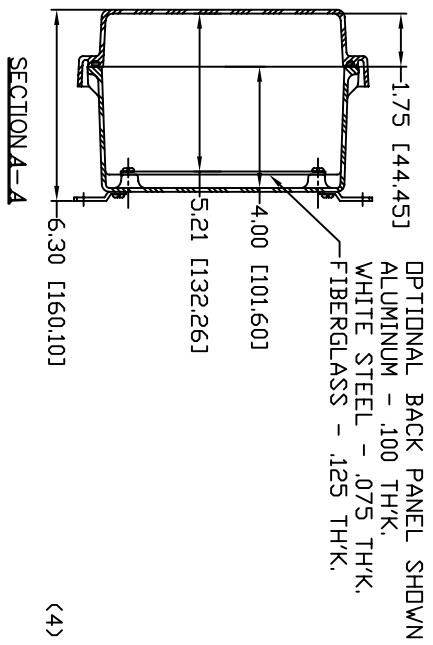
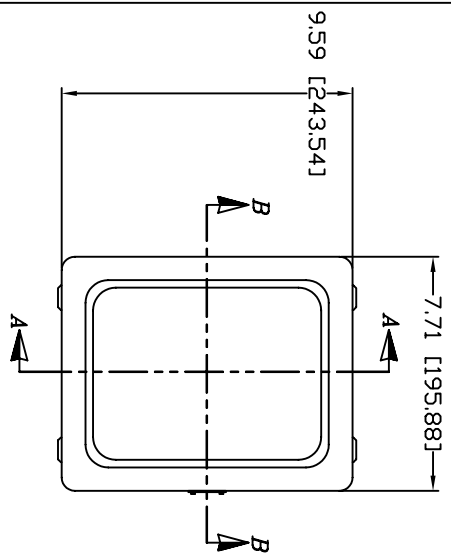


AM864RT



MATERIAL:
 BOX - COMPRESSION MOLDED FIBERGLASS REINFORCED POLYESTER
 COVER - COMPRESSION MOLDED FIBERGLASS REINFORCED POLYESTER
 WINDOWS - POLYCARBONATE

THESE MATERIALS ARE VIEWED BY THE ALLIED
 CORPORATION AND BY YOU TO BE ASSURED BY
 THE ALLIED CORPORATION THAT THE MATERIALS
 ARE IDENTICAL TO THE MATERIALS SHOWN IN THE
 DRAWINGS AND TO BE IDENTICAL TO THE MATERIALS
 SHOWN IN THE PHOTOGRAPHS.

CONFIDENTIAL