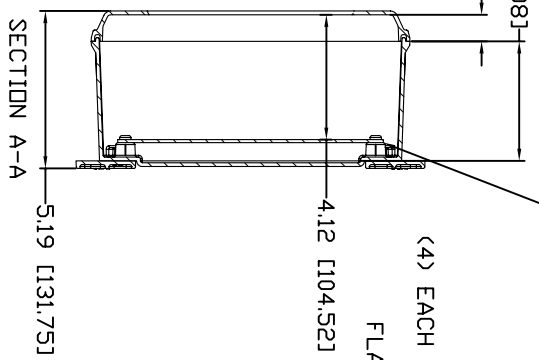
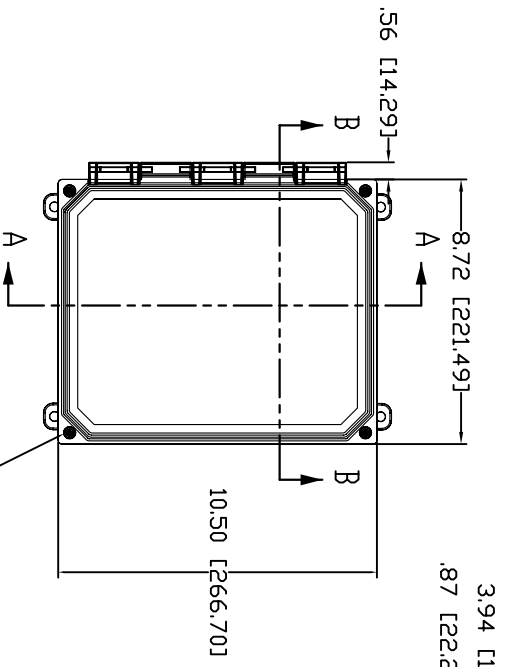
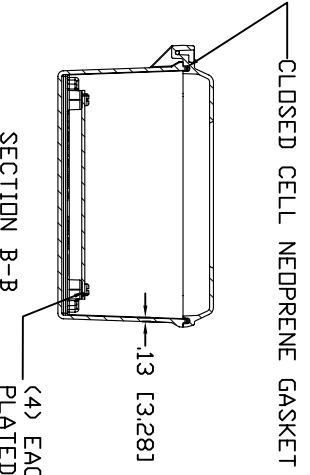


AMU1084

OPTIONAL BACK PANEL SHOWN
 ALUMINUM - .100 THK.
 WHITE STEEL - .075 THK.
 FIBERGLASS - .125 THK.

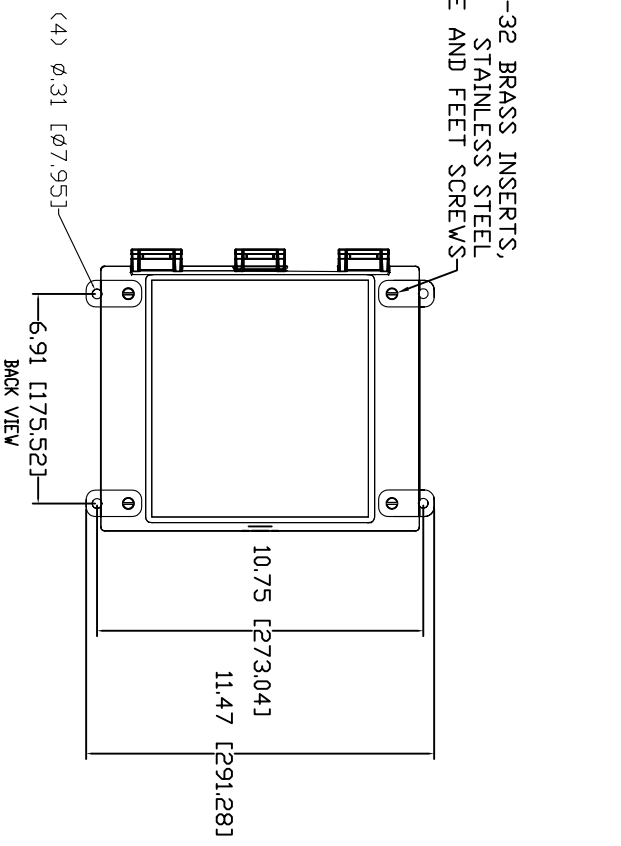


(4) EACH #10-32 BRASS INSERTS
 AND STAINLESS STEEL
 CAPTIVE COVER SCREWS

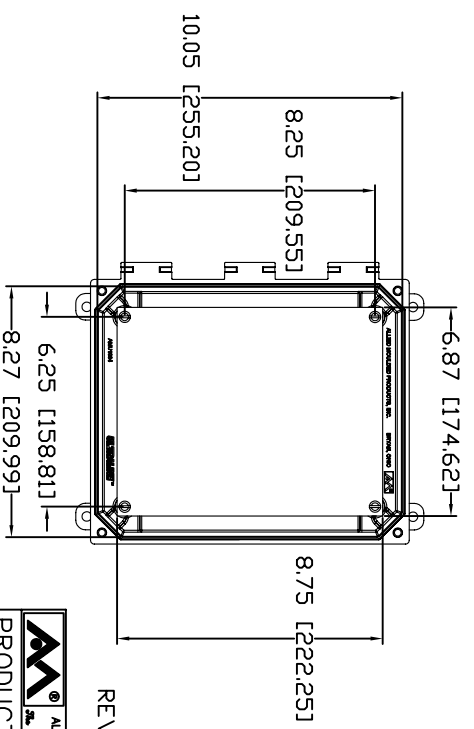


(4) EACH #10-32 BRASS INSERTS AND
 PLATED CARBON STEEL SCREWS

MATERIAL:
 BOX - COMPRESSION MOLDED FIBERGLASS REINFORCED POLYESTER
 COVER - COMPRESSION MOLDED FIBERGLASS REINFORCED POLYESTER
 CLEAR COVER AND WINDOWS - POLYCARBONATE



(4) Ø.31 [Ø7.95]



FRONT VIEW WITH LID REMOVED
 AND PANEL IN PLACE

REV. 3/21/07

CONFIDENTIAL
 THIS DOCUMENT IS OWNED BY THE ALLIED
 MANUFACTURING COMPANY. IT IS NOT TO BE REPRODUCED OR
 TRANSMITTED IN ANY FORM OR BY ANY MEANS, ELECTRONIC OR
 MECHANICAL, INCLUDING PHOTOCOPYING, RECORDING, OR BY
 ANY INFORMATION STORAGE AND RETRIEVAL SYSTEM.

