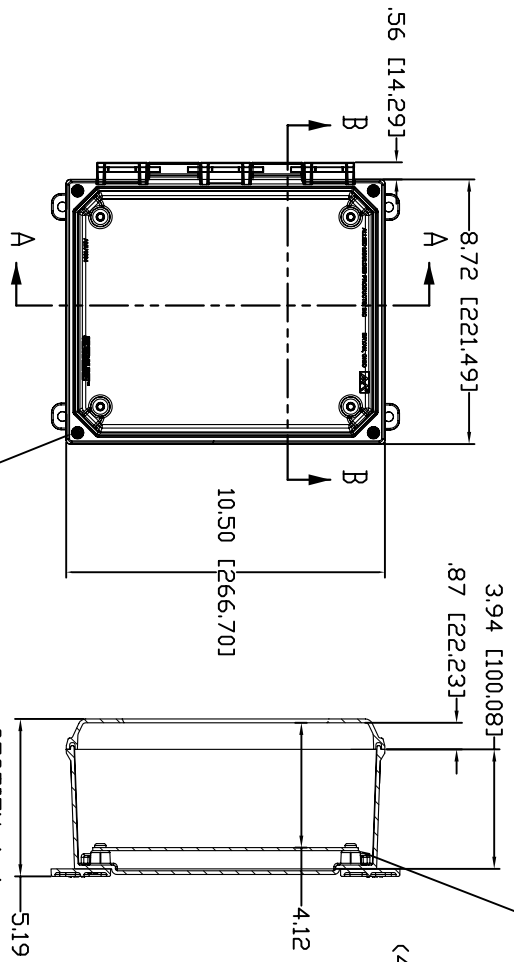


AMU1084CC

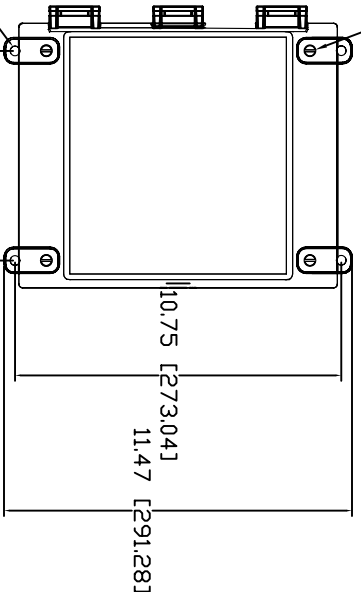
OPTIONAL BACK PANEL SHOWN
 ALUMINUM - .100 THK.
 WHITE STEEL - .075 THK.
 FIBERGLASS - .125 THK.



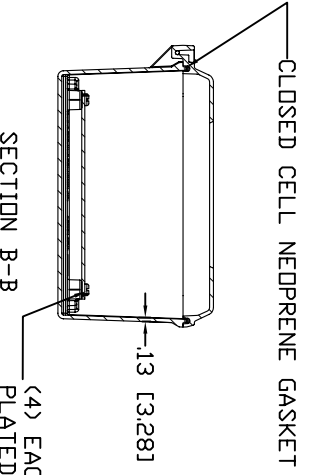
(4) EACH #10-32 BRASS INSERTS AND STAINLESS STEEL CAPTIVE COVER SCREWS

(4) EACH #10-32 BRASS INSERTS, STAINLESS STEEL FLANGE AND FEET SCREWS

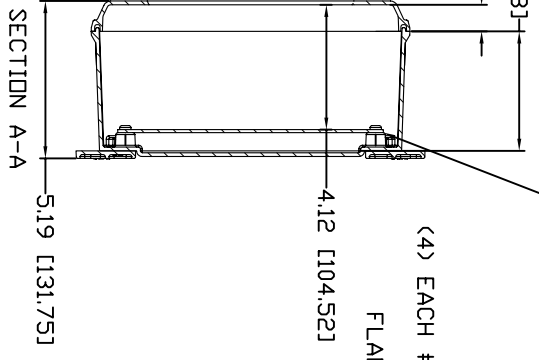
(4) Ø.31 [Ø7.95] 6.91 [175.52]



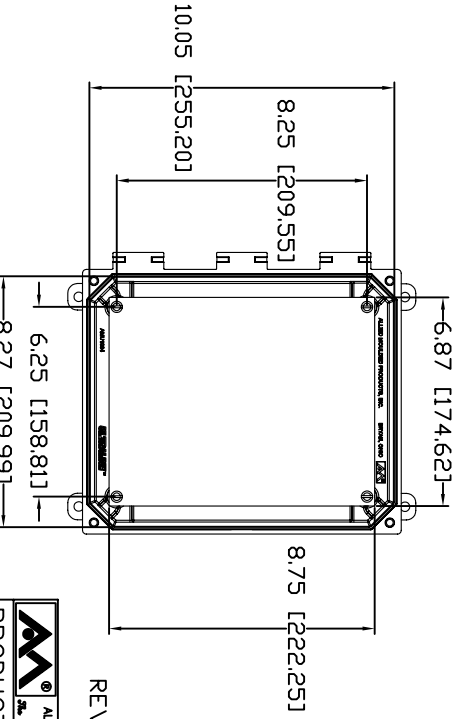
BACK VIEW



SECTION B-B (4) EACH #10-32 BRASS INSERTS AND PLATED CARBON STEEL SCREWS



SECTION A-A



FRONT VIEW WITH LID REMOVED AND PANEL IN PLACE

REV. 3/21/07

MATERIAL:
 BOX - COMPRESSION MOLDED FIBERGLASS REINFORCED POLYESTER
 COVER - COMPRESSION MOLDED FIBERGLASS REINFORCED POLYESTER
 CLEAR COVER AND WINDOWS - POLYCARBONATE

CONFIDENTIAL
 THIS DOCUMENT IS OWNED BY THE UNITED STATES GOVERNMENT AND IS NOT TO BE REPRODUCED OR TRANSMITTED IN ANY FORM WITHOUT EXPRESS PERMISSION FROM THE UNITED STATES GOVERNMENT

