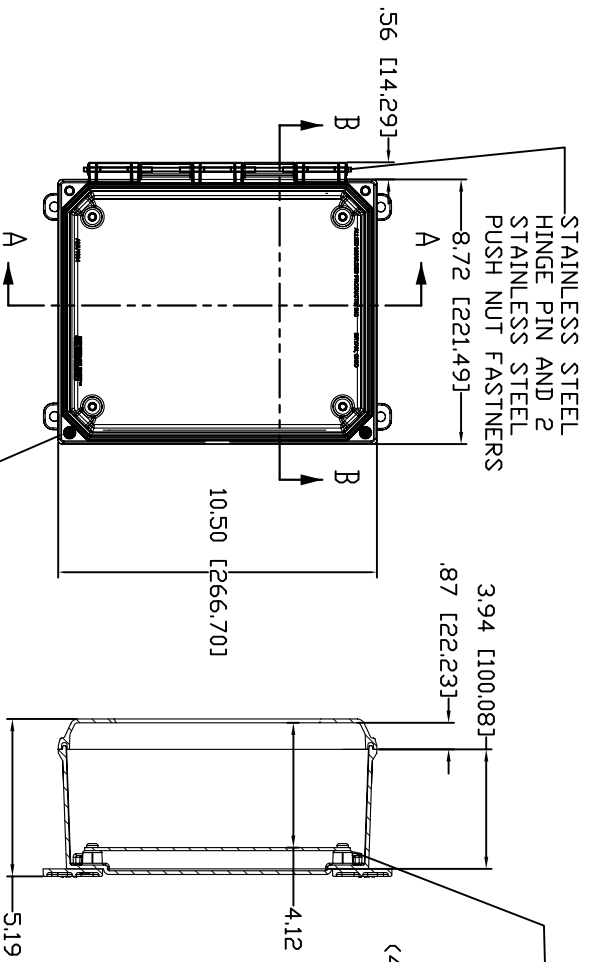


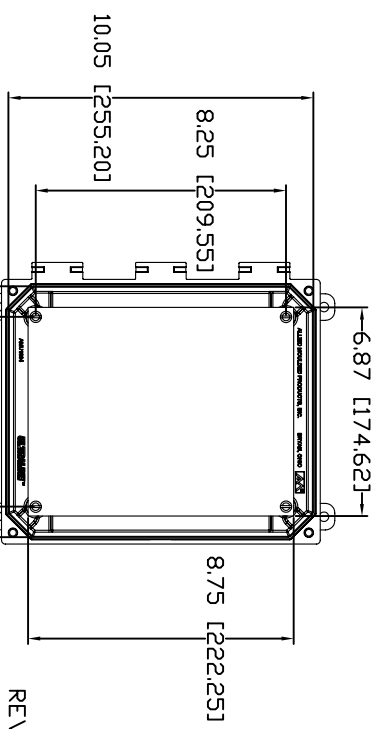
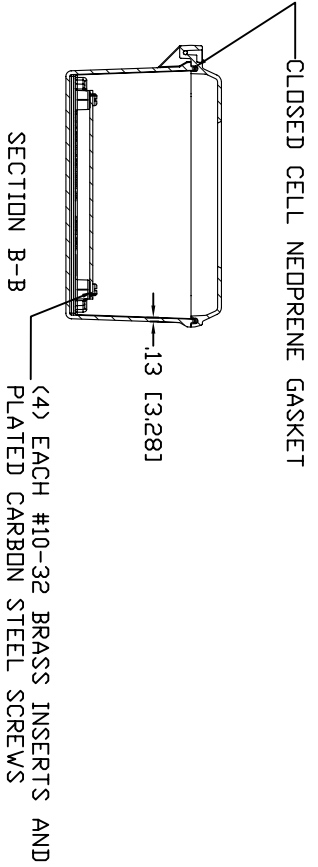
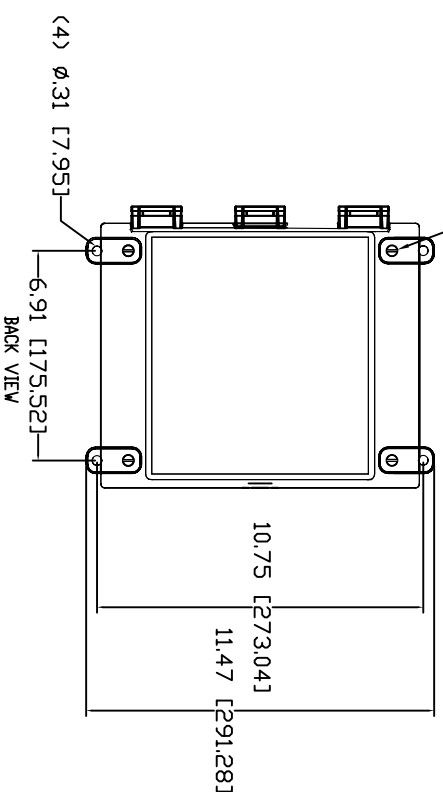
# AMU1084CCH

OPTIONAL BACK PANEL SHOWN  
 ALUMINUM - .100 THK.  
 WHITE STEEL - .075 THK.  
 FIBERGLASS - .125 THK.



(2) EACH #10-32 BRASS INSERTS AND STAINLESS STEEL CAPTIVE COVER SCREWS

(4) EACH #10-32 BRASS INSERTS, STAINLESS STEEL FLANGE AND FEET SCREWS



REV. 3/21/07

MATERIAL:  
 BOX - COMPRESSION MOLDED FIBERGLASS REINFORCED POLYESTER  
 COVER - COMPRESSION MOLDED FIBERGLASS REINFORCED POLYESTER  
 CLEAR COVER AND WINDOWS - POLYCARBONATE

CONFIDENTIAL  
 THIS DOCUMENT IS OWNED BY THE ALLED GROUP. IT IS NOT TO BE REPRODUCED OR TRANSMITTED IN ANY FORM OR BY ANY MEANS, ELECTRONIC OR MECHANICAL, INCLUDING PHOTOCOPYING, RECORDING, OR BY ANY INFORMATION STORAGE AND RETRIEVAL SYSTEM. PERMISSION IS GRANTED TO MAKE LIMITED COPIES OF THIS DOCUMENT FOR PERSONAL USE ONLY.