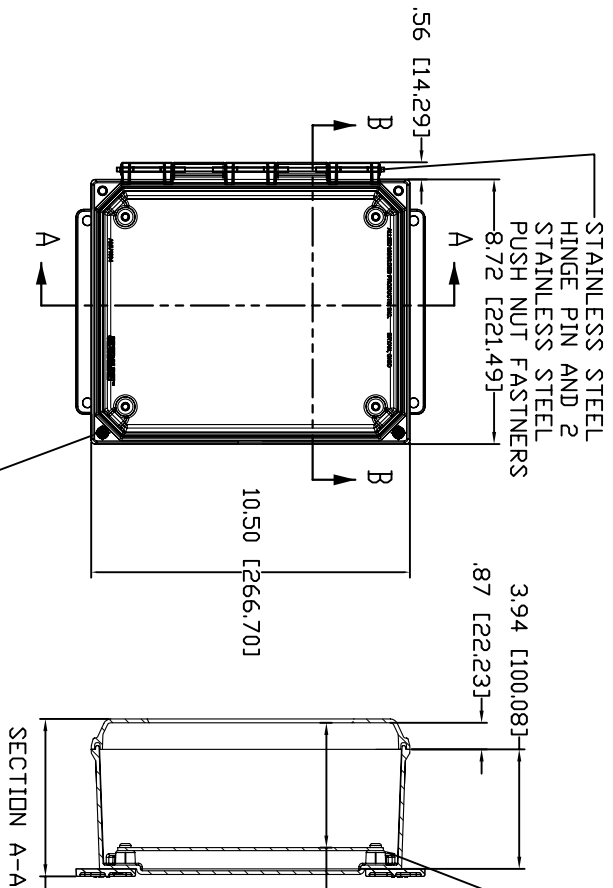


AMU1084CCHF



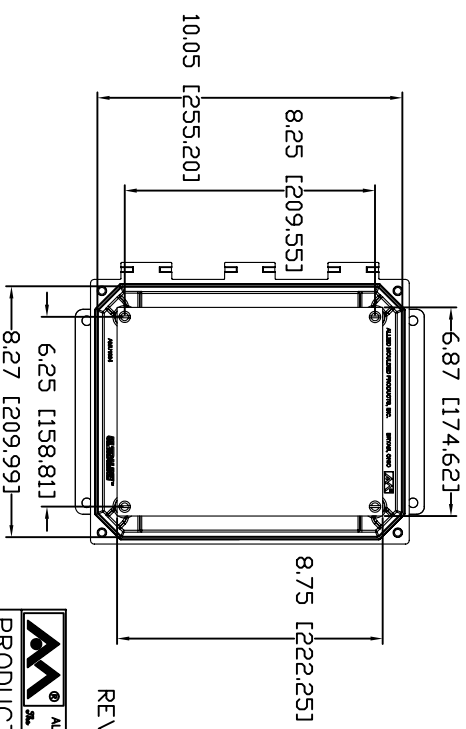
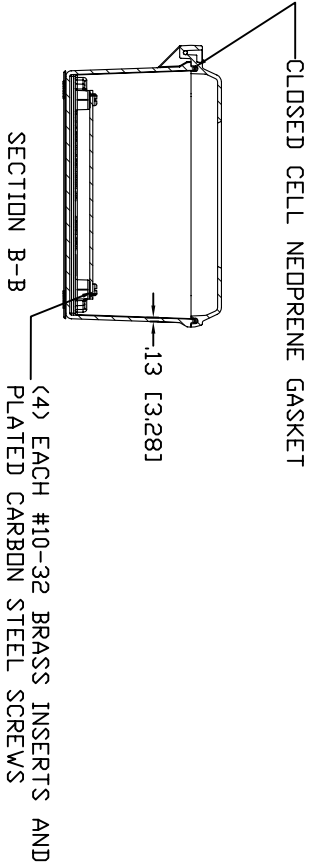
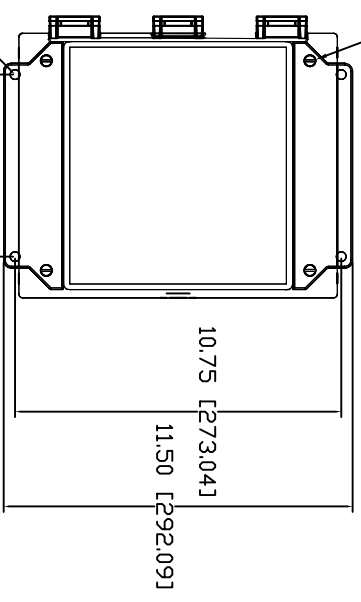
OPTIONAL BACK PANEL SHOWN
ALUMINUM - .100 THK.
WHITE STEEL - .075 THK.
FIBERGLASS - .125 THK.

(2) #10-32 BRASS INSERTS AND STAINLESS STEEL CAPTIVE COVER SCREWS

(4) EACH #10-32 BRASS INSERTS, STAINLESS STEEL FLANGE AND FEET SCREWS

(4) Ø.31 [Ø7.95]

BACK VIEW



REV. 3/21/07

MATERIAL:
BOX - COMPRESSION MOLDED FIBERGLASS REINFORCED POLYESTER
COVER - COMPRESSION MOLDED FIBERGLASS REINFORCED POLYESTER
CLEAR COVER AND WINDOWS - POLYCARBONATE

CONFIDENTIAL
THIS DOCUMENT IS OWNED BY THE UNITED STATES GOVERNMENT AND IS NOT TO BE REPRODUCED IN ANY FORM WITHOUT EXPRESS PERMISSION FROM THE UNITED STATES GOVERNMENT.