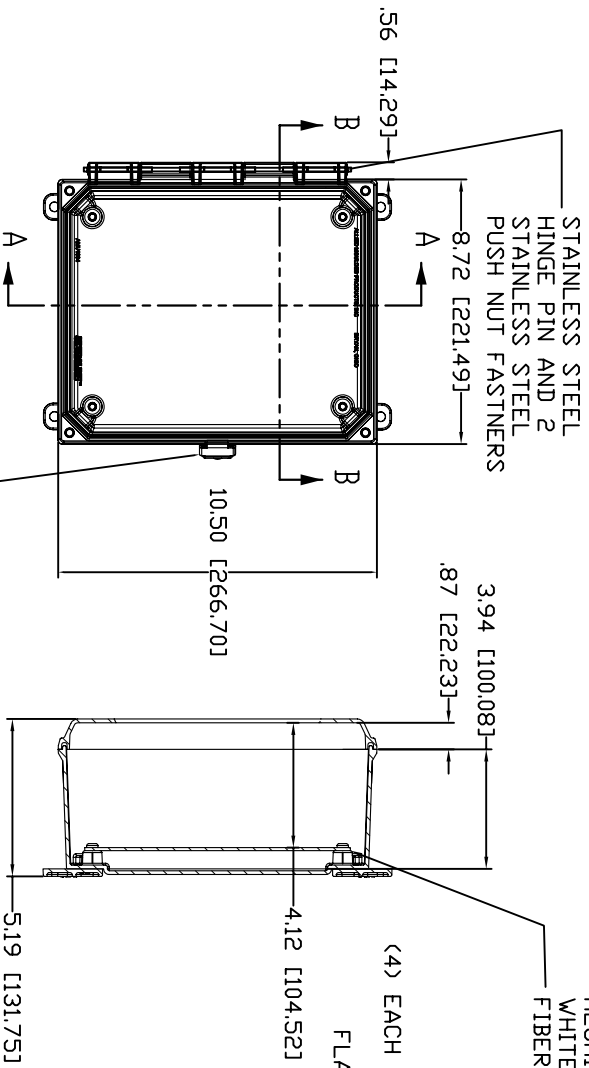


# AMU1084CCL

OPTIONAL BACK PANEL SHOWN  
 ALUMINUM - .100 THK.  
 WHITE STEEL - .075 THK.  
 FIBERGLASS - .125 THK.



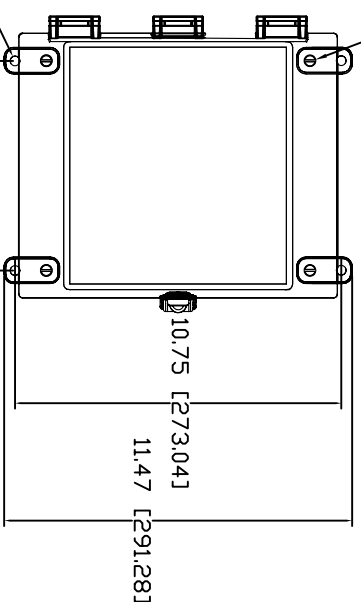
STAINLESS STEEL LOCKABLE SNAP LATCH LOCATED ON CENTER

(4) EACH #10-32 BRASS INSERTS, STAINLESS STEEL FLANGE AND FEET SCREWS

(4) Ø.31 [Ø7.951]

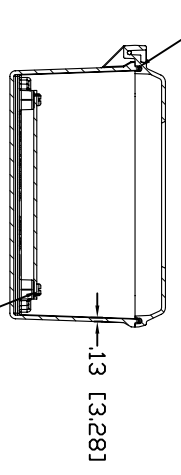
6.91 [175.521]

BACK VIEW



CLOSED CELL NEOPRENE GASKET

(4) EACH #10-32 BRASS INSERTS AND PLATED CARBON STEEL SCREWS

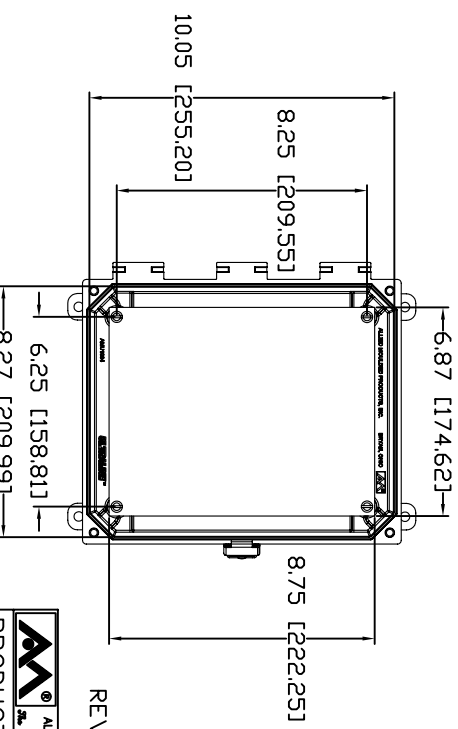


REV. 3/21/07

MATERIAL:  
 BOX - COMPRESSION MOLDED FIBERGLASS REINFORCED POLYESTER  
 COVER - COMPRESSION MOLDED FIBERGLASS REINFORCED POLYESTER  
 CLEAR COVER AND WINDOWS - POLYCARBONATE

CONFIDENTIAL  
 THIS DOCUMENT IS OWNED BY THE UNITED STATES GOVERNMENT AND IS NOT TO BE REPRODUCED OR TRANSMITTED IN ANY FORM WITHOUT EXPRESS PERMISSION FROM THE UNITED STATES GOVERNMENT.

FRONT VIEW WITH LID REMOVED AND PANEL IN PLACE



ALLIED MOLDED PRODUCTS  
 The Original Molds, More Quality  
 PRODUCT SERIES  
 ULTRALINE™