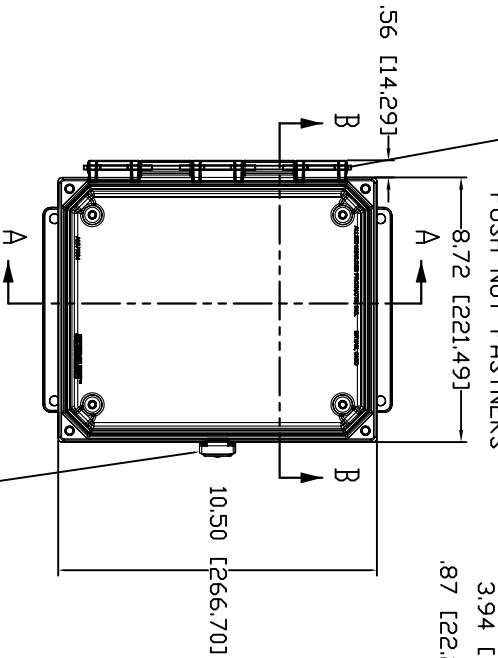
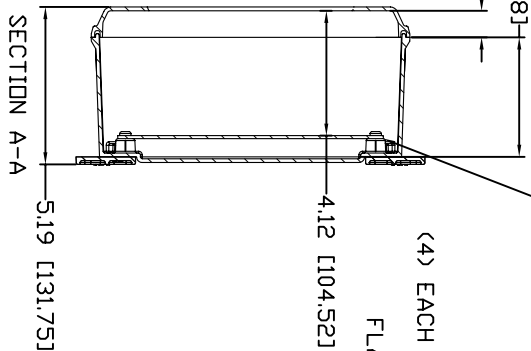


AMU1084CCLF

STAINLESS STEEL
HINGE PIN AND 2
STAINLESS STEEL
PUSH NUT FASTENERS

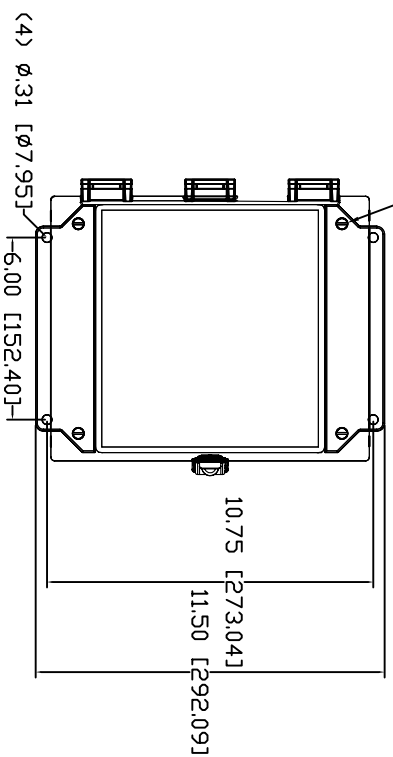


OPTIONAL BACK PANEL SHOWN
ALUMINUM - .100 THK.
WHITE STEEL - .075 THK.
FIBERGLASS - .125 THK.



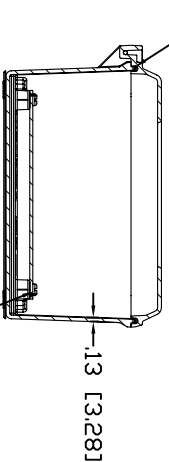
(4) EACH #10-32 BRASS INSERTS,
STAINLESS STEEL
FLANGE AND FEET SCREWS

STAINLESS STEEL LOCKABLE SNAP
LATCH LOCATED DN CENTER

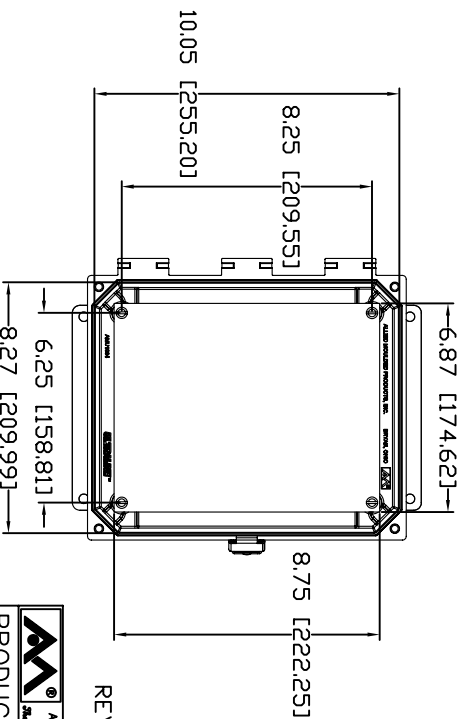


BACK VIEW

CLOSED CELL NEOPRENE GASKET



SECTION B-B
(4) EACH #10-32 BRASS INSERTS AND
PLATED CARBON STEEL SCREWS



FRONT VIEW WITH LID REMOVED
AND PANEL IN PLACE

MATERIAL:
BOX - COMPRESSION MOLDED FIBERGLASS REINFORCED POLYESTER
COVER - COMPRESSION MOLDED FIBERGLASS REINFORCED POLYESTER
CLEAR COVER AND WINDOWS - POLYCARBONATE

CONFIDENTIAL

THIS DOCUMENT IS OWNED BY THE UNITED STATES GOVERNMENT AND IS NOT TO BE REPRODUCED, STORED, TRANSMITTED, OR DISTRIBUTED WITHOUT PERMISSION FROM THE UNITED STATES GOVERNMENT.