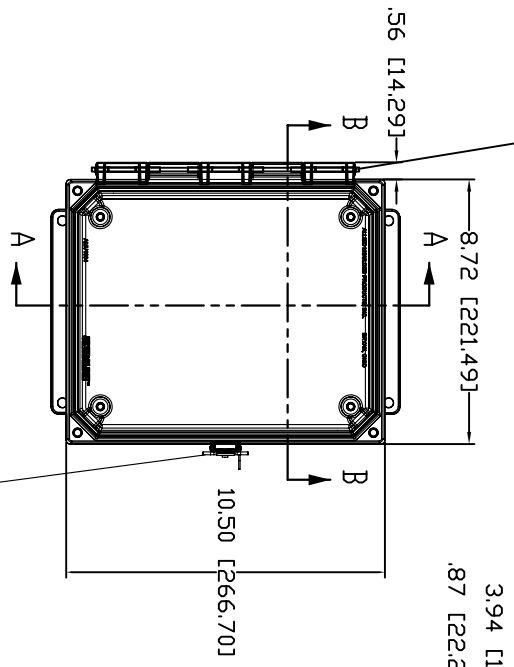
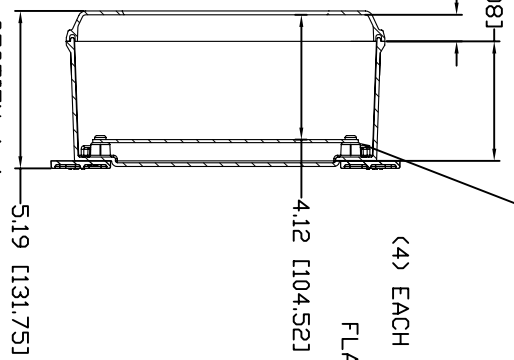


STAINLESS STEEL
HINGE PIN AND 2
STAINLESS STEEL
PUSH NUT FASTENERS



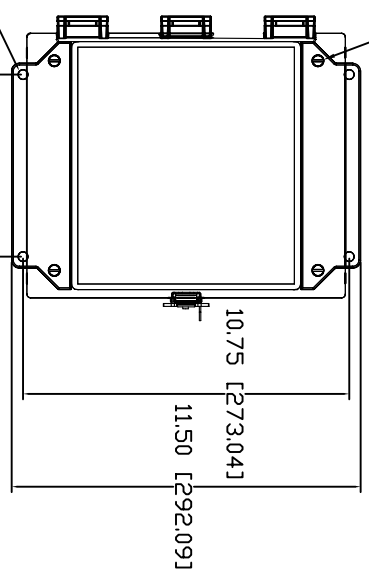
OPTIONAL BACK PANEL SHOWN
ALUMINUM - .100 THK.
WHITE STEEL - .075 THK.
FIBERGLASS - .125 THK.



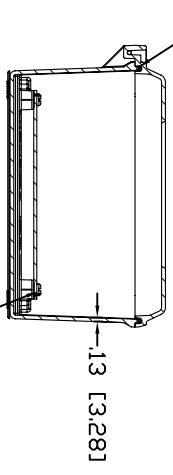
(4) EACH #10-32 BRASS INSERTS,
STAINLESS STEEL
FLANGE AND FEET SCREWS

SECTION A-A
STAINLESS STEEL LOCKABLE TWIST
LATCH LOCATED ON CENTER

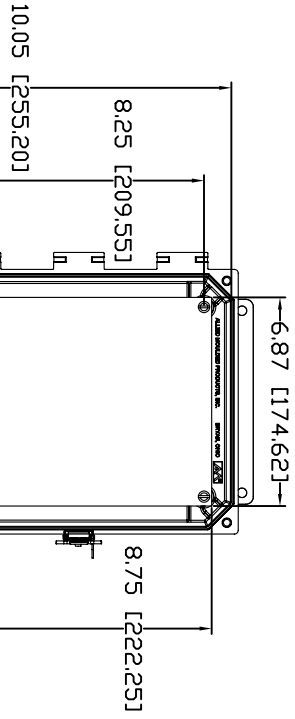
(4) Ø.31 [Ø7.95]
BACK VIEW



CLOSED CELL NEOPRENE GASKET



SECTION B-B
(4) EACH #10-32 BRASS INSERTS AND
PLATED CARBON STEEL SCREWS



MATERIAL:
BOX - COMPRESSION MOLDED FIBERGLASS REINFORCED POLYESTER
COVER - COMPRESSION MOLDED FIBERGLASS REINFORCED POLYESTER
CLEAR COVER AND WINDOWS - POLYCARBONATE

CONFIDENTIAL
THIS DOCUMENT IS OWNED BY THE UNITED STATES GOVERNMENT AND IS NOT TO BE REPRODUCED OR TRANSMITTED IN ANY FORM WITHOUT EXPRESS PERMISSION FROM THE UNITED STATES GOVERNMENT.

FRONT VIEW WITH LID REMOVED
AND PANEL IN PLACE

REV. 3/21/07

AM ALLIED MOLDED PRODUCTS
The Original Fiberglass Case Mold Shop
PRODUCT SERIES
ULTRALINE™

AMU1084CCTF