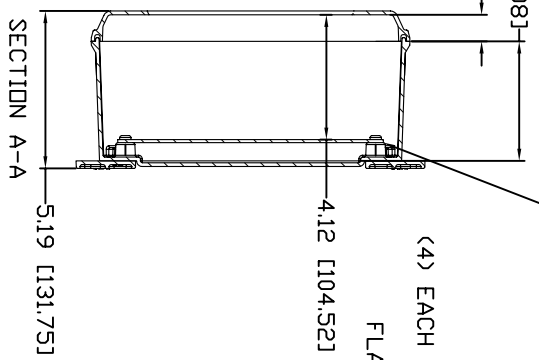
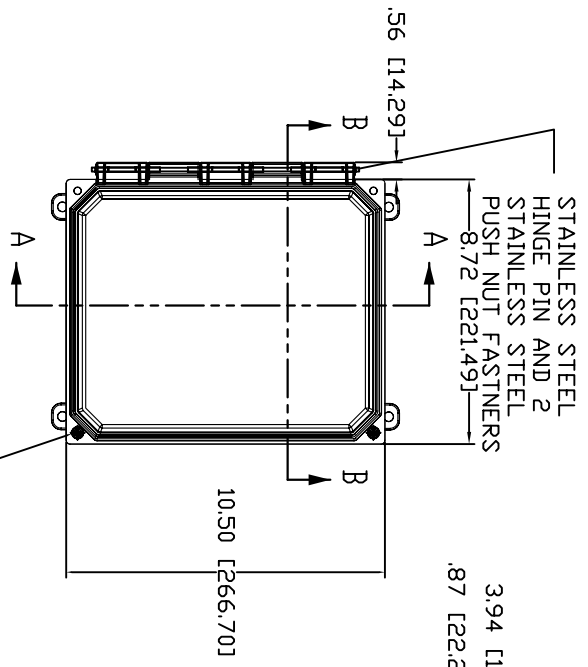
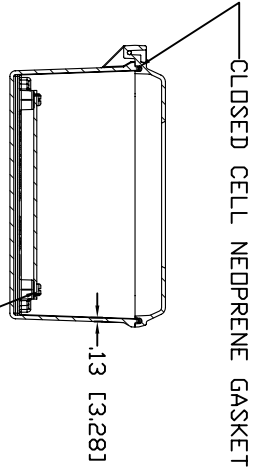
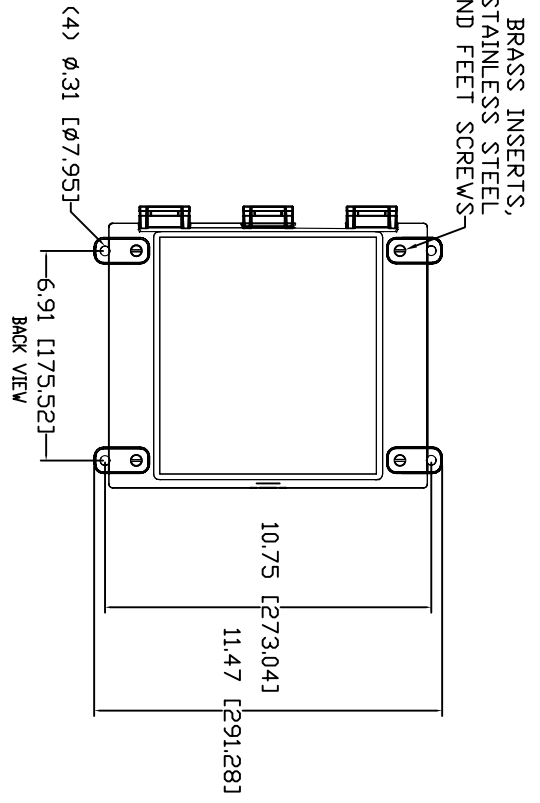


AMU1084H

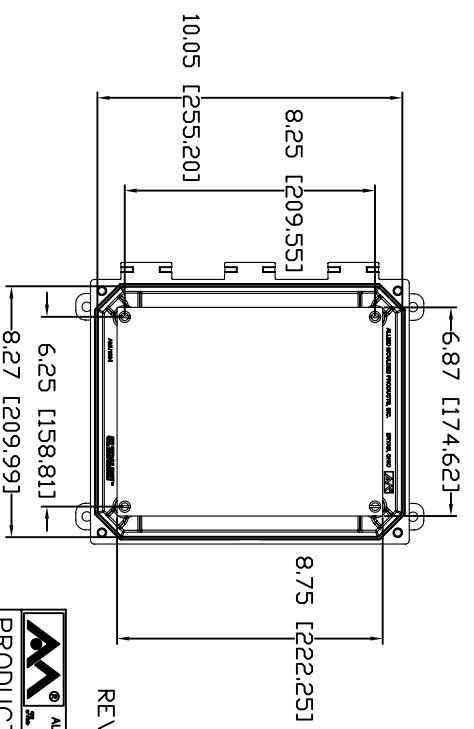
OPTIONAL BACK PANEL SHOWN
 ALUMINUM - .100 THK.
 WHITE STEEL - .075 THK.
 FIBERGLASS - .125 THK.



(2) #10-32 BRASS INSERTS AND STAINLESS STEEL CAPTIVE COVER SCREW



SECTION B-B (4) EACH #10-32 BRASS INSERTS AND PLATED CARBON STEEL SCREWS



MATERIAL:
 BOX - COMPRESSION MOLDED FIBERGLASS REINFORCED POLYESTER
 COVER - COMPRESSION MOLDED FIBERGLASS REINFORCED POLYESTER
 CLEAR COVER AND WINDOWS - POLYCARBONATE

CONFIDENTIAL
 THIS DOCUMENT IS OWNED BY THE ALLIED SIGNAL COMPANY AND IS NOT TO BE REPRODUCED OR TRANSMITTED IN ANY FORM OR BY ANY MEANS WITHOUT THE WRITTEN PERMISSION OF THE ALLIED SIGNAL COMPANY.