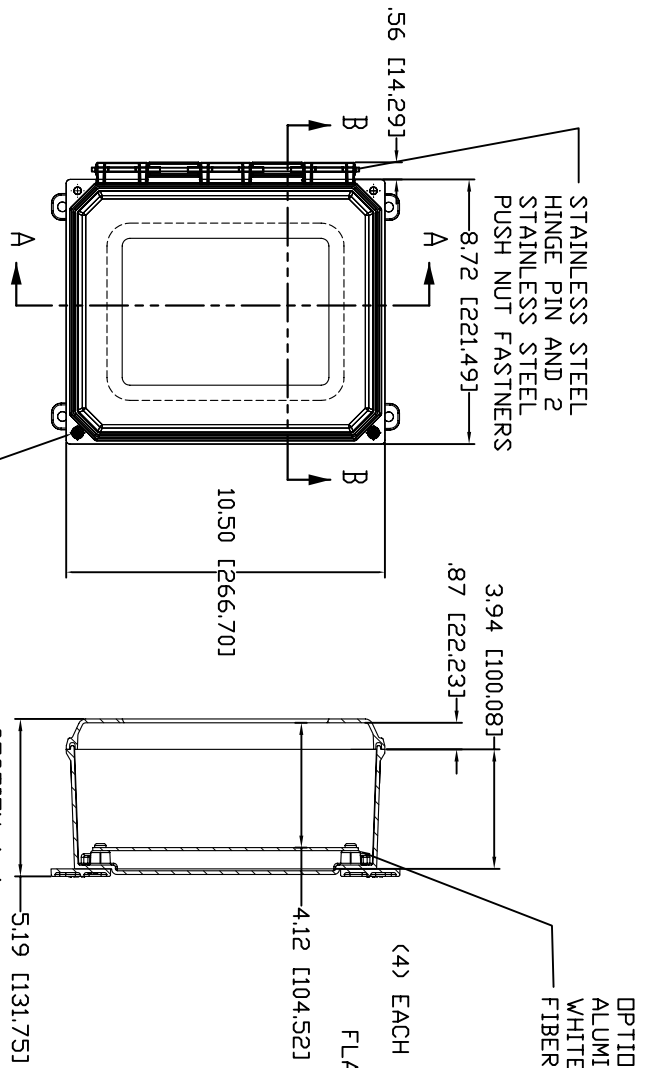


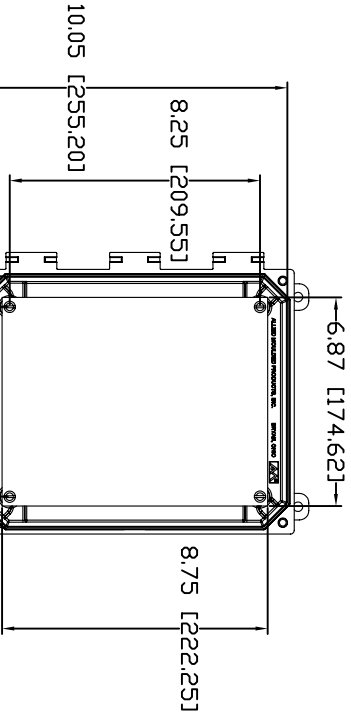
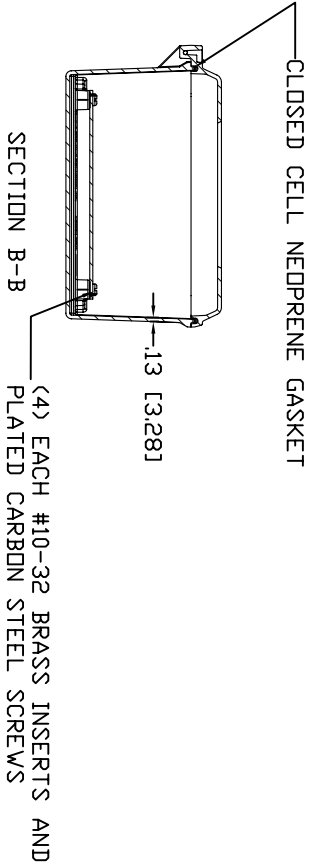
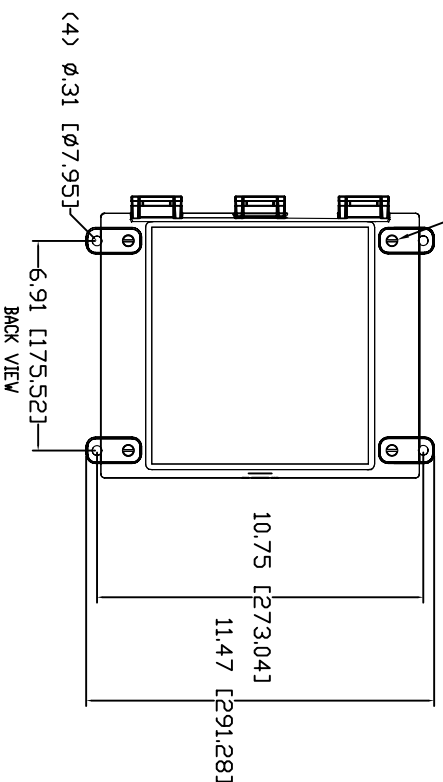
AMU1084HW



OPTIONAL BACK PANEL SHOWN
 ALUMINUM - .100 THK.
 WHITE STEEL - .075 THK.
 FIBERGLASS - .125 THK.

(2) #10-32 BRASS INSERTS
 AND STAINLESS STEEL
 CAPTIVE COVER SCREW

(4) EACH #10-32 BRASS INSERTS,
 STAINLESS STEEL
 FLANGE AND FEET SCREWS



MATERIAL:
 BOX - COMPRESSION MOLDED FIBERGLASS REINFORCED POLYESTER
 COVER - COMPRESSION MOLDED FIBERGLASS REINFORCED POLYESTER
 CLEAR COVER AND WINDOWS - POLYCARBONATE

CONFIDENTIAL
 THIS DOCUMENT IS OWNED BY THE ALLIED
 CHEMICAL COMPANY AND IS NOT TO BE REPRODUCED OR
 TRANSMITTED IN ANY FORM OR BY ANY MEANS
 WITHOUT THE WRITTEN PERMISSION OF THE ALLIED CHEMICAL COMPANY.