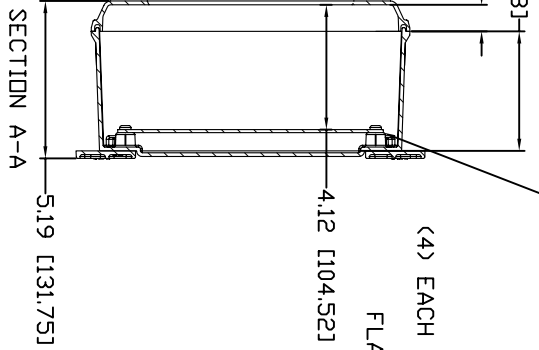
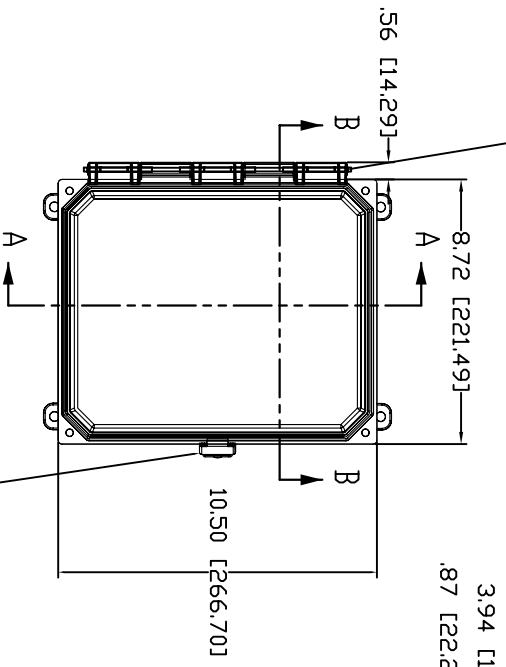


AMU1084L

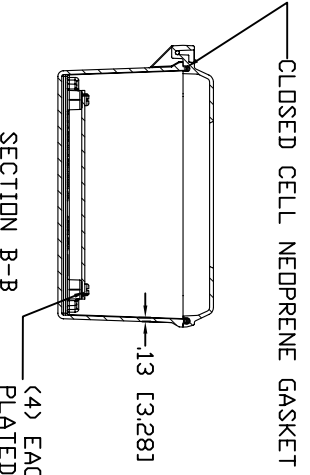
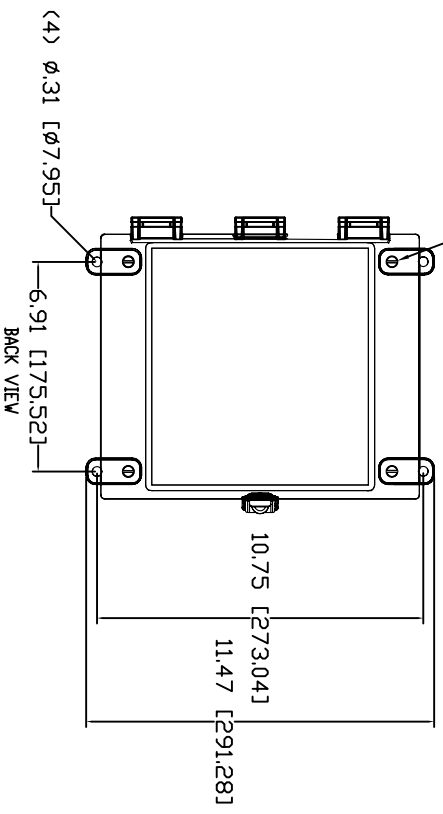
STAINLESS STEEL
HINGE PIN AND 2
STAINLESS STEEL
PUSH NUT FASTENERS

OPTIONAL BACK PANEL SHOWN
ALUMINUM - .100 THK.
WHITE STEEL - .075 THK.
FIBERGLASS - .125 THK.

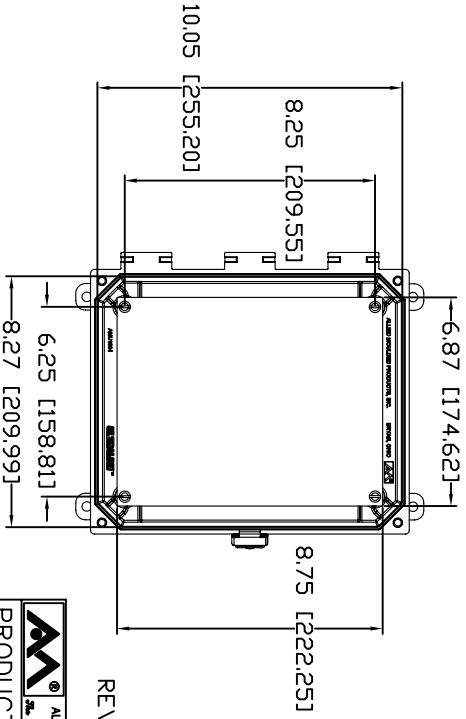


STAINLESS STEEL LOCKABLE SNAP
LATCH LOCATED ON CENTER

(4) EACH #10-32 BRASS INSERTS,
STAINLESS STEEL
FLANGE AND FEET SCREWS



(4) EACH #10-32 BRASS INSERTS AND
PLATED CARBON STEEL SCREWS



MATERIAL:
BOX - COMPRESSION MOLDED FIBERGLASS REINFORCED POLYESTER
COVER - COMPRESSION MOLDED FIBERGLASS REINFORCED POLYESTER
CLEAR COVER AND WINDOWS - POLYCARBONATE

CONFIDENTIAL
THIS DOCUMENT IS OWNED BY THE UNITED STATES GOVERNMENT AND IS NOT TO BE REPRODUCED OR TRANSMITTED IN ANY FORM WITHOUT EXPRESS PERMISSION FROM THE UNITED STATES GOVERNMENT.

ALLIED MOLDED PRODUCTS
The Original Molded Steel Case
PRODUCT SERIES
ULTRALINE™
REV. 3/21/07