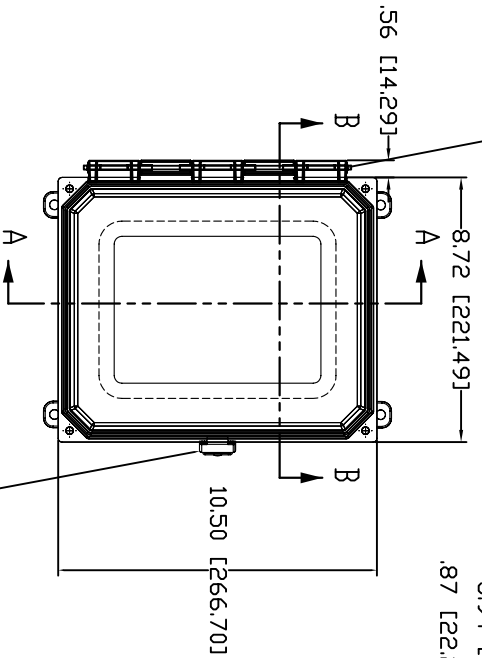
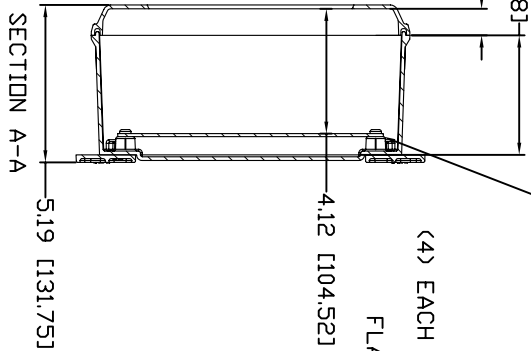


AMU1084LW

STAINLESS STEEL
HINGE PIN AND 2
STAINLESS STEEL
PUSH NUT FASTENERS

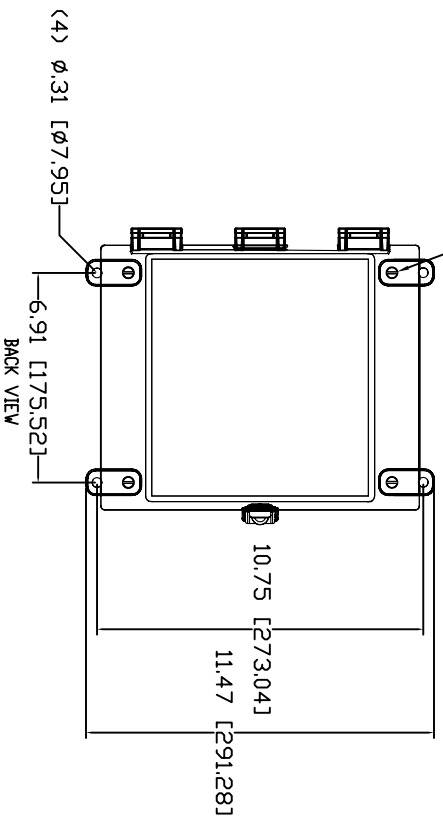


OPTIONAL BACK PANEL SHOWN
ALUMINUM - .100 THK.
WHITE STEEL - .075 THK.
FIBERGLASS - .125 THK.

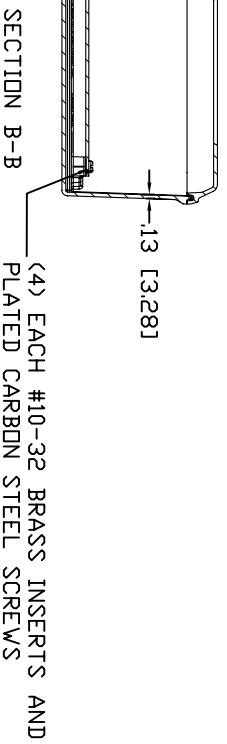


STAINLESS STEEL LOCKABLE SNAP
LATCH LOCATED ON CENTER

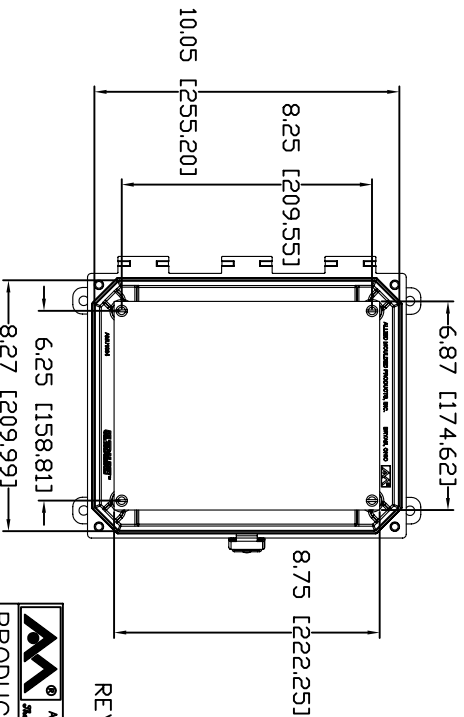
(4) EACH #10-32 BRASS INSERTS,
STAINLESS STEEL
FLANGE AND FEET SCREWS



CLOSED CELL NEOPRENE GASKET



MATERIAL:
BOX - COMPRESSION MOLDED FIBERGLASS REINFORCED POLYESTER
COVER - COMPRESSION MOLDED FIBERGLASS REINFORCED POLYESTER
CLEAR COVER AND WINDOWS - POLYCARBONATE



FRONT VIEW WITH LID REMOVED
AND PANEL IN PLACE

REV. 3/21/07

CONFIDENTIAL
THIS DOCUMENT IS OWNED BY THE ALLIED
CORPORATION AND IS NOT TO BE REPRODUCED OR
TRANSMITTED IN ANY FORM OR BY ANY MEANS
ELECTRONIC OR MECHANICAL, INCLUDING
PHOTOCOPYING, RECORDING, OR BY ANY
INFORMATION STORAGE AND RETRIEVAL SYSTEM.