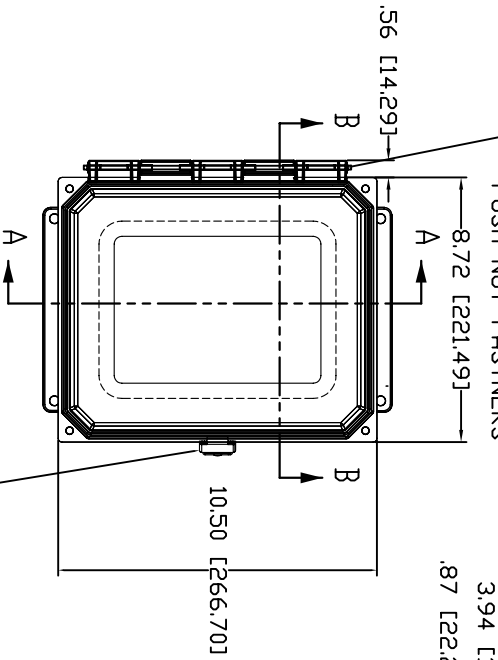
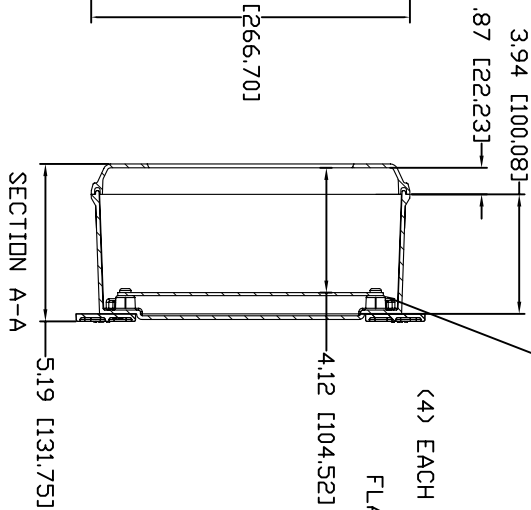


# AMU1084L WF

STAINLESS STEEL  
HINGE PIN AND 2  
STAINLESS STEEL  
PUSH NUT FASTENERS

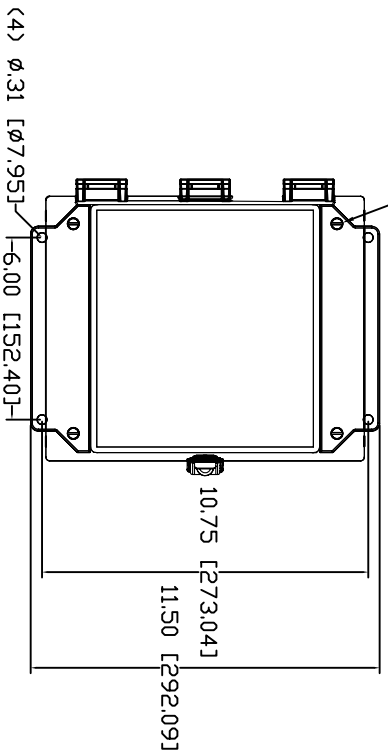


OPTIONAL BACK PANEL SHOWN  
ALUMINUM - .100 THK.  
WHITE STEEL - .075 THK.  
FIBERGLASS - .125 THK.

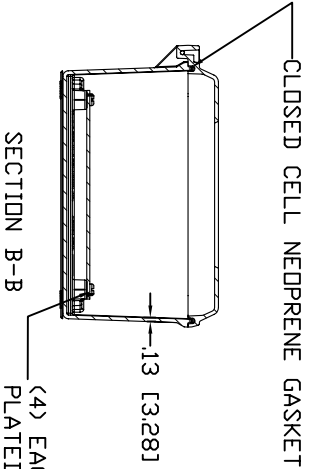


STAINLESS STEEL LOCKABLE SNAP  
LATCH LOCATED ON CENTER

(4) EACH #10-32 BRASS INSERTS,  
STAINLESS STEEL  
FLANGE AND FEET SCREWS

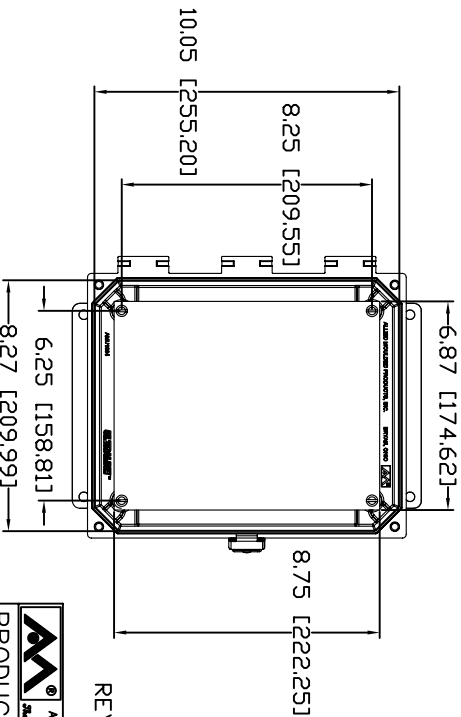


BACK VIEW



CLOSED CELL NEOPRENE GASKET

(4) EACH #10-32 BRASS INSERTS AND  
PLATED CARBON STEEL SCREWS



FRONT VIEW WITH LID REMOVED  
AND PANEL IN PLACE

REV. 3/21/07

MATERIAL:  
BOX - COMPRESSION MOLDED FIBERGLASS REINFORCED POLYESTER  
COVER - COMPRESSION MOLDED FIBERGLASS REINFORCED POLYESTER  
CLEAR COVER AND WINDOWS - POLYCARBONATE

CONFIDENTIAL  
THIS DOCUMENT IS OWNED BY THE ALLIED  
CORPORATION AND IS NOT TO BE REPRODUCED OR  
TRANSMITTED IN ANY FORM OR BY ANY MEANS  
ELECTRONIC OR MECHANICAL, INCLUDING  
PHOTOCOPYING, RECORDING, OR BY ANY  
INFORMATION STORAGE AND RETRIEVAL SYSTEM.