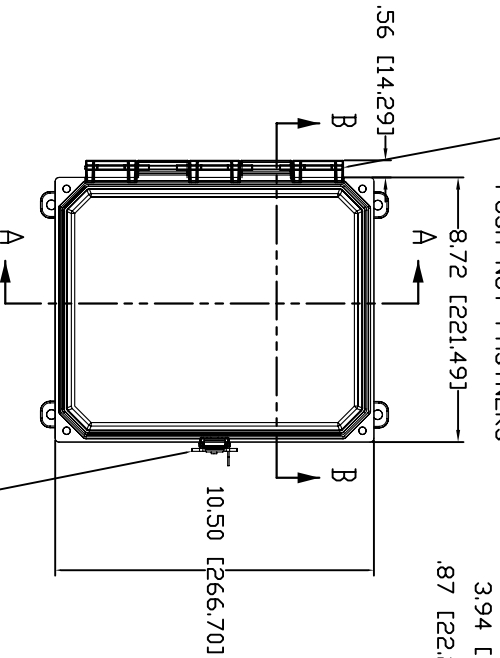


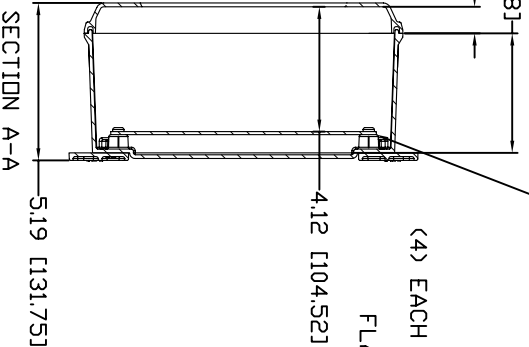
# AMU1084T

STAINLESS STEEL  
HINGE PIN AND 2  
STAINLESS STEEL  
PUSH NUT FASTENERS



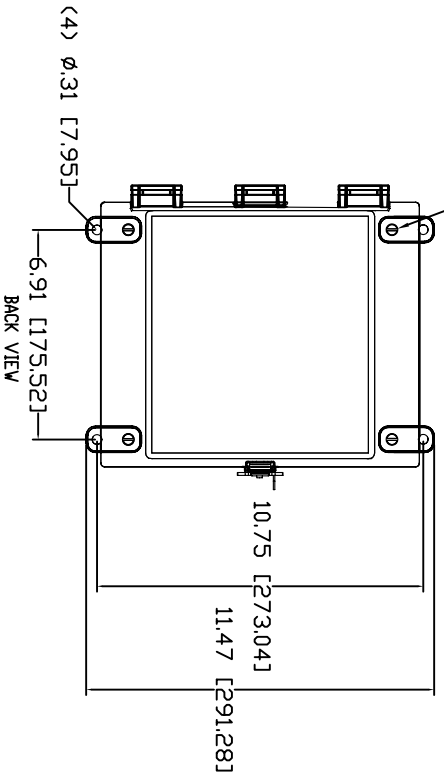
3.94 [100.08]  
.87 [22.23]

STAINLESS STEEL LOCKABLE TWIST  
LATCH LOCATED DN CENTER

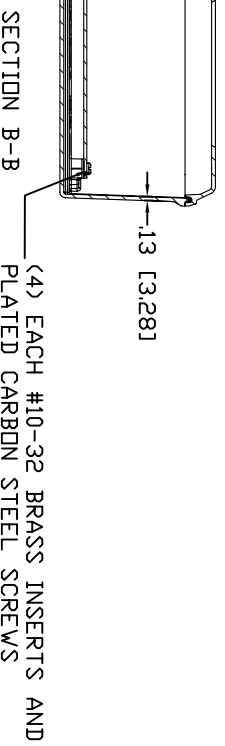


OPTIONAL BACK PANEL SHOWN  
ALUMINUM - .100 THK.  
WHITE STEEL - .075 THK.  
FIBERGLASS - .125 THK.

(4) EACH #10-32 BRASS INSERTS,  
STAINLESS STEEL  
FLANGE AND FEET SCREWS



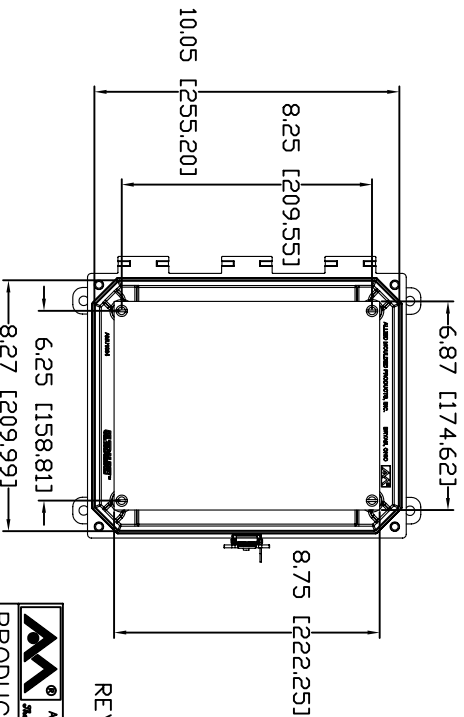
CLOSED CELL NEOPRENE GASKET



MATERIAL:  
BOX - COMPRESSION MOLDED FIBERGLASS REINFORCED POLYESTER  
COVER - COMPRESSION MOLDED FIBERGLASS REINFORCED POLYESTER  
CLEAR COVER AND WINDOWS - POLYCARBONATE

CONFIDENTIAL

THIS DOCUMENT IS OWNED BY THE UNITED STATES GOVERNMENT AND IS NOT TO BE REPRODUCED IN ANY FORM WITHOUT EXPRESS PERMISSION FROM THE UNITED STATES GOVERNMENT.



REV. 3/21/07

**AM** ALLIED MOLDED PRODUCTS  
The Original Since 1946  
PRODUCT SERIES  
**ULTRALINE™**