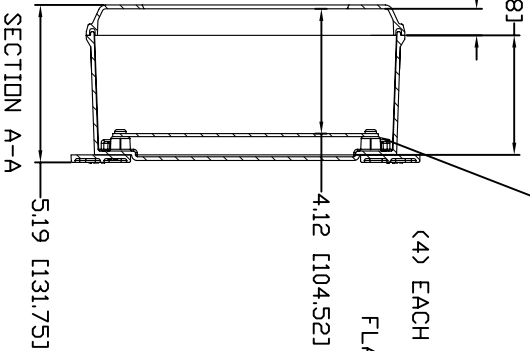
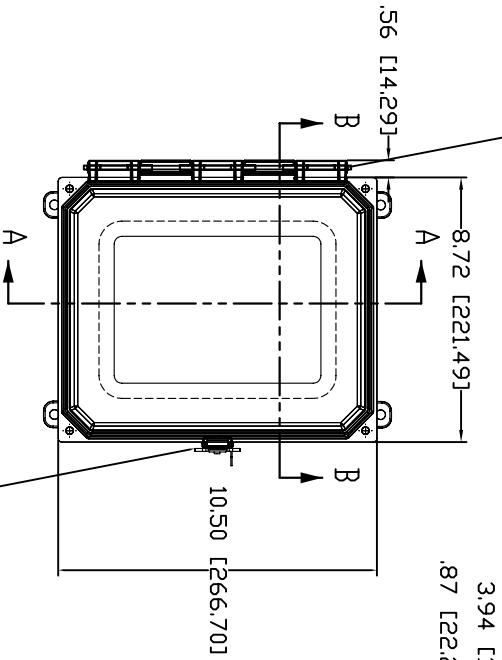


AMU1084TW

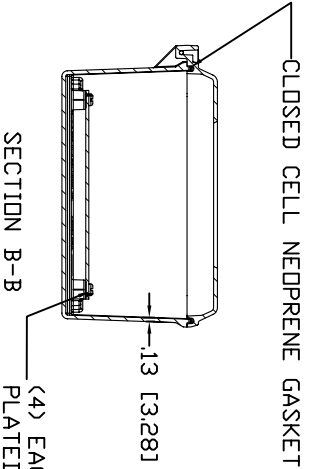
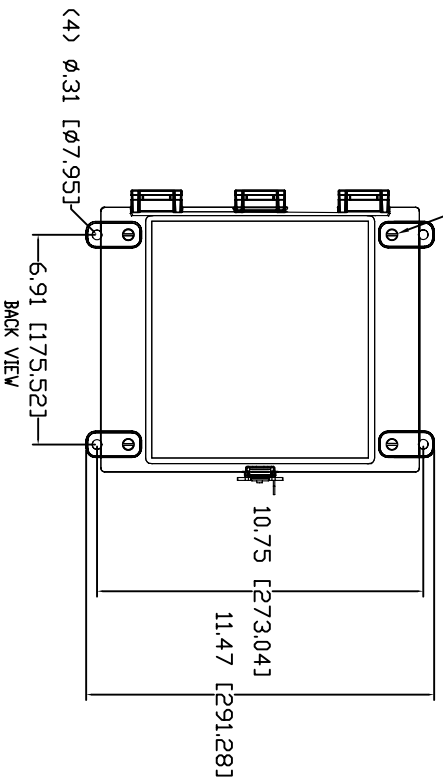
STAINLESS STEEL
HINGE PIN AND 2
STAINLESS STEEL
PUSH NUT FASTENERS

OPTIONAL BACK PANEL SHOWN
ALUMINUM - .100 THK.
WHITE STEEL - .075 THK.
FIBERGLASS - .125 THK.



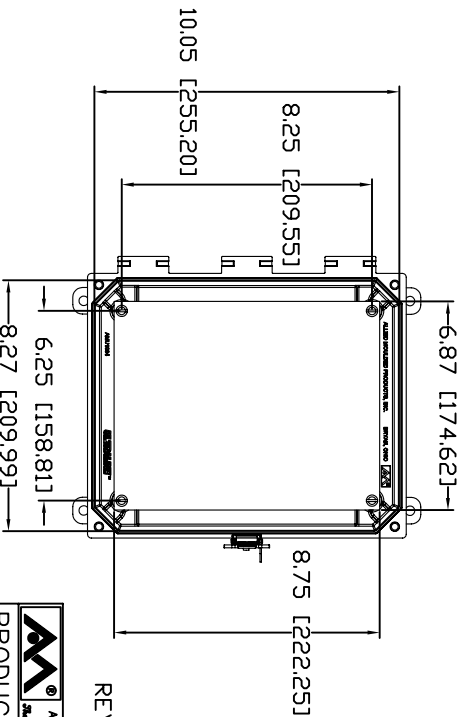
STAINLESS STEEL LOCKABLE TWIST
LATCH LOCATED ON CENTER

(4) EACH #10-32 BRASS INSERTS,
STAINLESS STEEL
FLANGE AND FEET SCREWS



SECTION B-B
(4) EACH #10-32 BRASS INSERTS AND
PLATED CARBON STEEL SCREWS

CLOSED CELL NEOPRENE GASKET



FRONT VIEW WITH LID REMOVED
AND PANEL IN PLACE

REV. 3/21/07

MATERIAL:
BOX - COMPRESSION MOLDED FIBERGLASS REINFORCED POLYESTER
COVER - COMPRESSION MOLDED FIBERGLASS REINFORCED POLYESTER
CLEAR COVER AND WINDOWS - POLYCARBONATE

CONFIDENTIAL
THIS DOCUMENT IS OWNED BY THE ALLIED
CORPORATION AND IS NOT TO BE REPRODUCED OR
TRANSMITTED IN ANY FORM OR BY ANY MEANS
ELECTRONIC OR MECHANICAL, INCLUDING
PHOTOCOPYING, RECORDING, OR BY ANY
INFORMATION STORAGE AND RETRIEVAL SYSTEM.