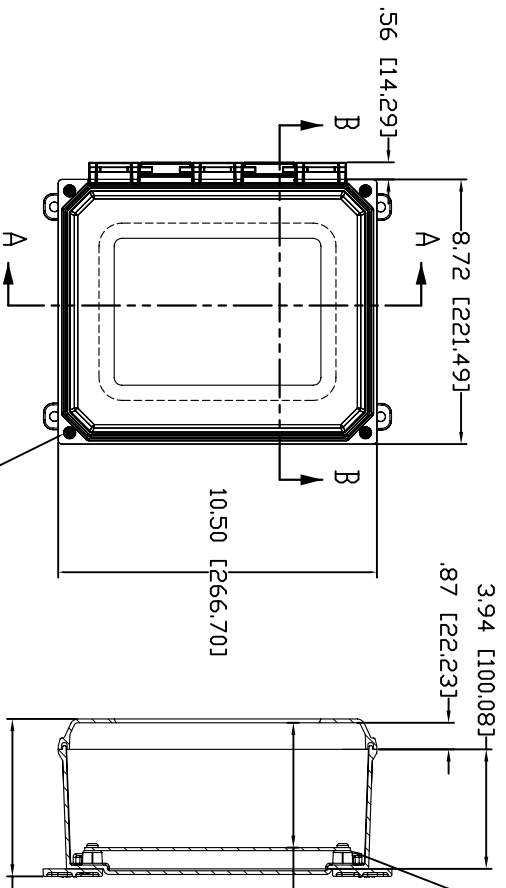


AMU1084W

OPTIONAL BACK PANEL SHOWN
 ALUMINUM - .100 THK.
 WHITE STEEL - .075 THK.
 FIBERGLASS - .125 THK.

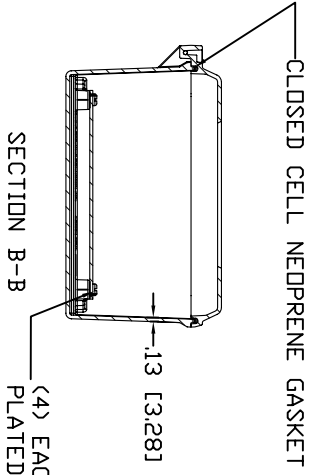
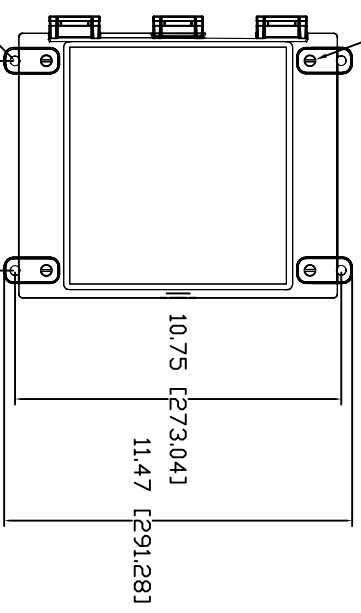


(4) #10-32 BRASS INSERTS AND STAINLESS STEEL CAPTIVE COVER SCREW

(4) EACH #10-32 BRASS INSERTS, STAINLESS STEEL FLANGE AND FEET SCREWS

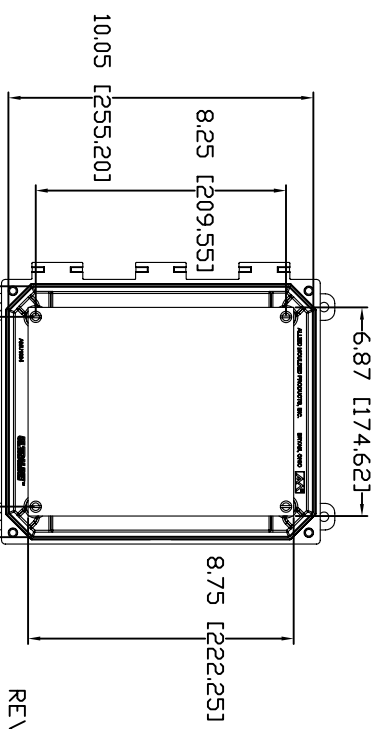
(4) Ø.31 [Ø7.95]

BACK VIEW



SECTION B-B (4) EACH #10-32 BRASS INSERTS AND PLATED CARBON STEEL SCREWS

CLOSED CELL NEOPRENE GASKET



FRONT VIEW WITH LID REMOVED AND PANEL IN PLACE

REV. 3/21/07

MATERIAL:
 BOX - COMPRESSION MOLDED FIBERGLASS REINFORCED POLYESTER
 COVER - COMPRESSION MOLDED FIBERGLASS REINFORCED POLYESTER
 CLEAR COVER AND WINDOWS - POLYCARBONATE

CONFIDENTIAL
 THIS DOCUMENT IS OWNED BY THE ALLIED
 MANUFACTURING COMPANY. IT IS NOT TO BE REPRODUCED OR
 TRANSMITTED IN ANY FORM OR BY ANY MEANS, ELECTRONIC OR
 MECHANICAL, INCLUDING PHOTOCOPYING, RECORDING, OR BY ANY
 INFORMATION STORAGE AND RETRIEVAL SYSTEM.

