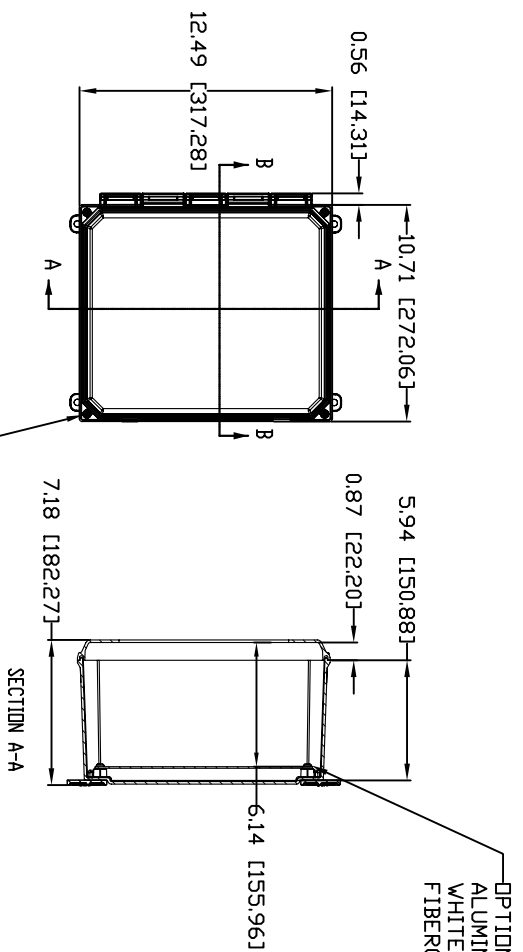


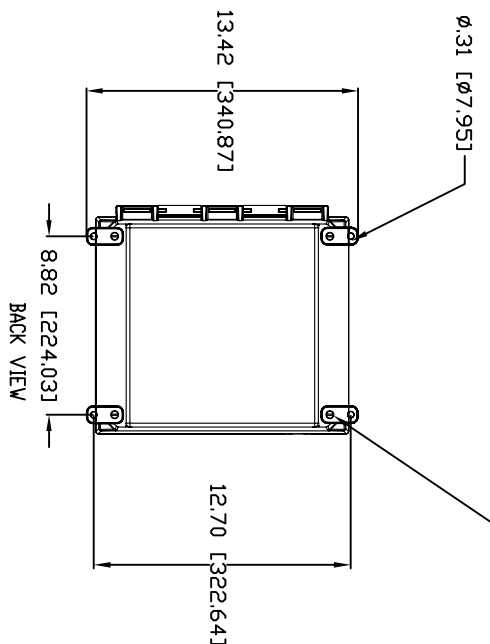
AMU1206



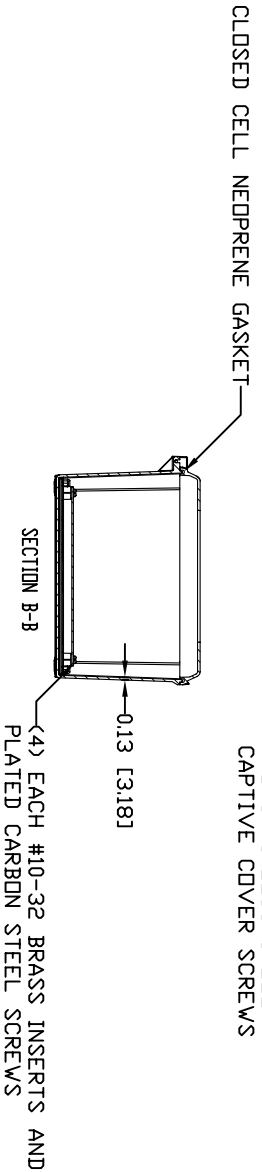
OPTIONAL BACK PANEL SHOWN
ALUMINUM-.100 THK
WHITE STEEL-.075 THK
FIBERGLASS-.125 THK

(4) EACH #10-32 BRASS INSERTS
AND STAINLESS STEEL
CAPTIVE COVER SCREWS

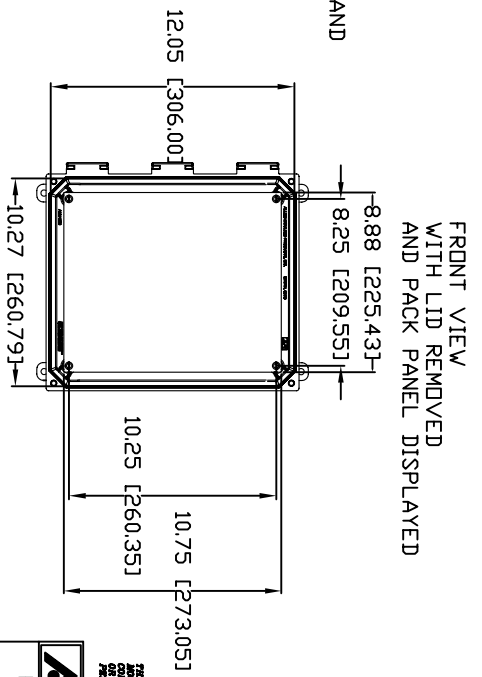
(4) EACH #10-32 BRASS INSERTS
AND STAINLESS STEEL
FLANGE AND FEET SCREWS



BACK VIEW



(4) EACH #10-32 BRASS INSERTS AND
PLATED CARBON STEEL SCREWS



FRONT VIEW
WITH LID REMOVED
AND PACK PANEL DISPLAYED

MATERIAL:
BOX-COMPRESSION MOLDED FIBERGLASS REINFORCED POLYESTER
COVER-COMPRESSION MOLDED FIBERGLASS REINFORCED POLYESTER
CLEAR COVER AND WINDOWS-POLYCARBONATE

REV. 3/22/07

CONFIDENTIAL

THIS MATERIAL IS INTENDED FOR THE ALIAD PRODUCT SERIES AND IS NOT TO BE REPRODUCED OR DISTRIBUTED WITHOUT WRITTEN PERMISSION FROM ALIAD MOULDED PRODUCTS.

ALIAD MOULDED PRODUCTS
The Original Style, Size, Color, etc.

PRODUCT SERIES
ULTRALINE™