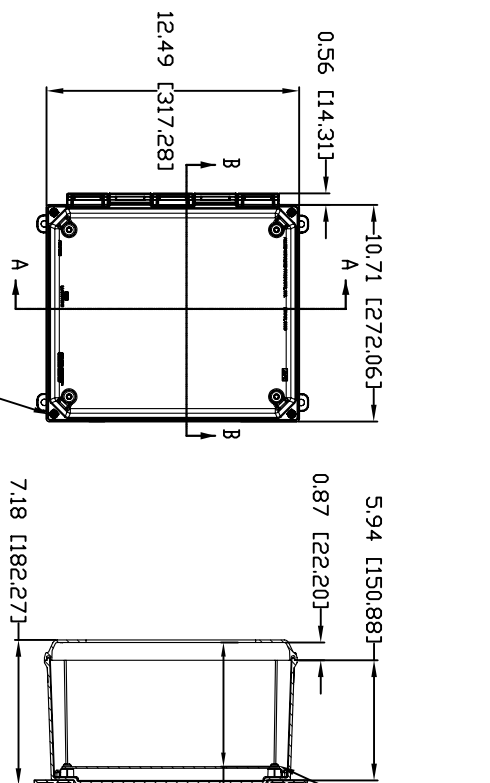


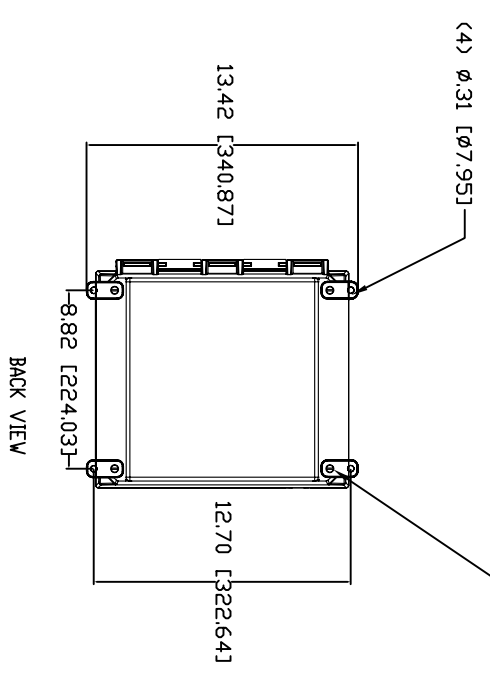
AMU1206CC



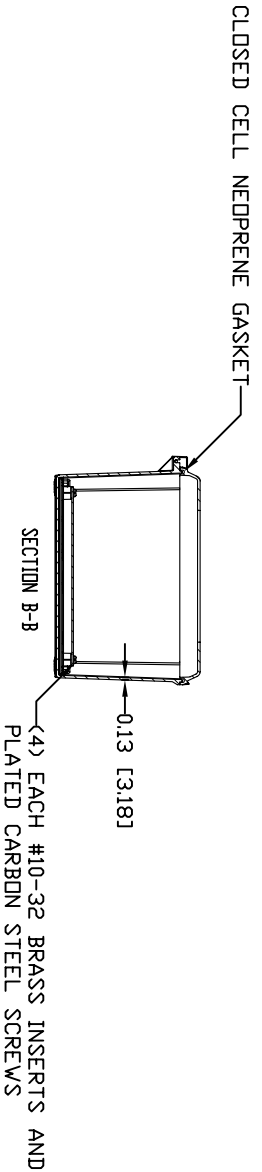
(4) EACH #10-32 BRASS INSERTS AND STAINLESS STEEL CAPTIVE COVER SCREWS

OPTIONAL BACK PANEL SHOWN
ALUMINUM-.100 THK
WHITE STEEL-.075 THK
FIBERGLASS-.125 THK

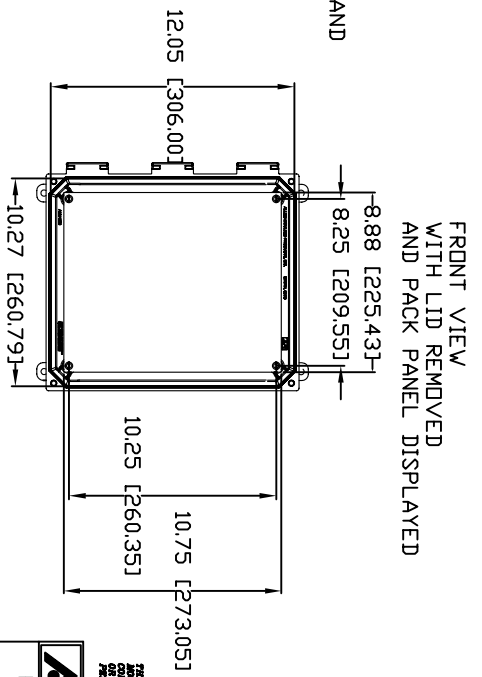
(4) EACH #10-32 BRASS INSERTS AND STAINLESS STEEL FLANGE AND FEET SCREWS



BACK VIEW



SECTION B-B
(4) EACH #10-32 BRASS INSERTS AND PLATED CARBON STEEL SCREWS



FRONT VIEW
WITH LID REMOVED
AND PACK PANEL DISPLAYED

MATERIAL:
BOX-COMPRESSION MOLDED FIBERGLASS REINFORCED POLYESTER
COVER-COMPRESSION MOLDED FIBERGLASS REINFORCED POLYESTER
CLEAR COVER AND WINDOWS-POLYCARBONATE

CONFIDENTIAL

THIS MATERIAL IS OFFERED BY THE ALIAD GROUP AS A SERVICE TO OUR CUSTOMERS. IT IS NOT TO BE REPRODUCED OR DISTRIBUTED WITHOUT THE WRITTEN PERMISSION FROM ALIAD GROUP PRODUCTS.

ALIAD MOLDED PRODUCTS
The Original Style. The Old Way.

PRODUCT SERIES
ULTRALINE™

REV. 3/22/07