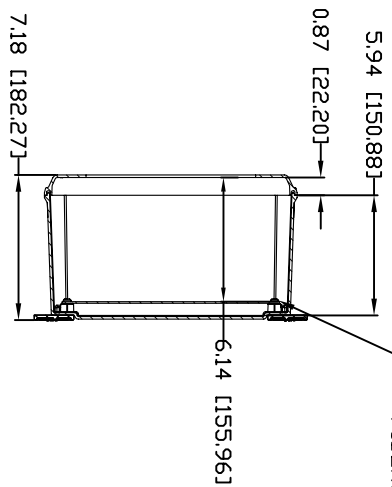
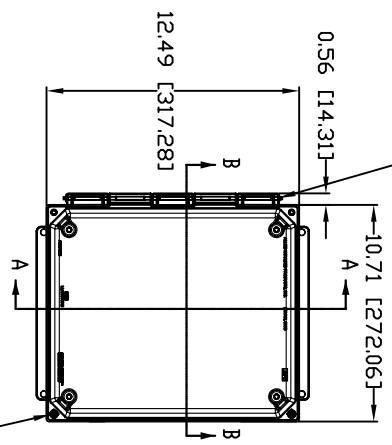


AMU1206CCHF

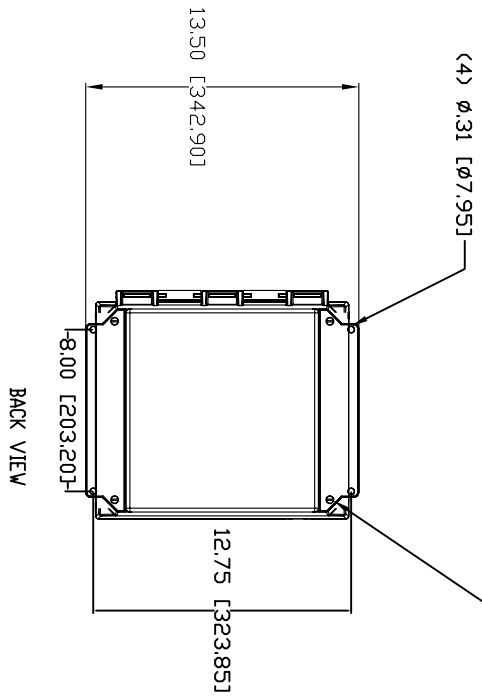
STAINLESS STEEL  
HINGE PIN AND 2  
PUSH PIN FASTENERS



OPTIONAL BACK PANEL SHOWN  
ALUMINUM-.100 THK  
WHITE STEEL-.075 THK  
FIBERGLASS-.125 THK

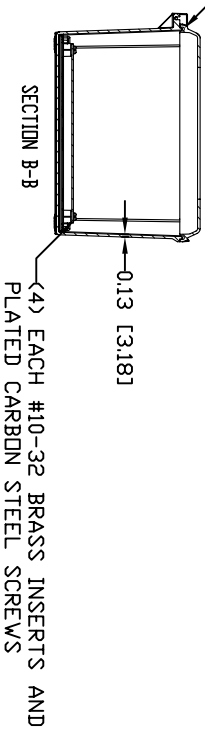
(2) EACH #10-32 BRASS INSERTS  
AND STAINLESS STEEL  
CAPTIVE COVER SCREWS

(4) EACH #10-32 BRASS INSERTS  
AND STAINLESS STEEL  
FLANGE AND FEET SCREWS

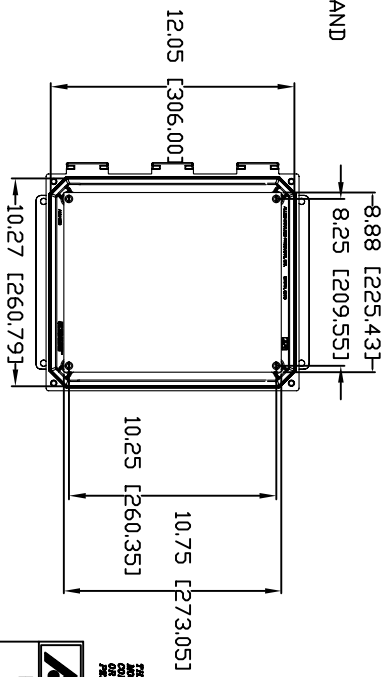


BACK VIEW

CLOSED CELL NEOPRENE GASKET



FRONT VIEW  
WITH LID REMOVED  
AND PACK PANEL DISPLAYED



MATERIAL:  
BOX-COMPRESSION MOLDED FIBERGLASS REINFORCED POLYESTER  
COVER-COMPRESSION MOLDED FIBERGLASS REINFORCED POLYESTER  
CLEAR COVER AND WINDOWS-POLYCARBONATE

REV. 3/22/07

**ULTRALINE™**  
ALLIED MOLDED PRODUCTS  
The Original Style, Same Old Style

THIS MATERIAL IS OFFERED BY THE ALLIED GROUP OF COMPANIES AS A SERVICE TO OUR CUSTOMERS. IT IS NOT TO BE REPRODUCED OR DISTRIBUTED WITHOUT THE WRITTEN PERMISSION FROM ALLIED MOLDED PRODUCTS.