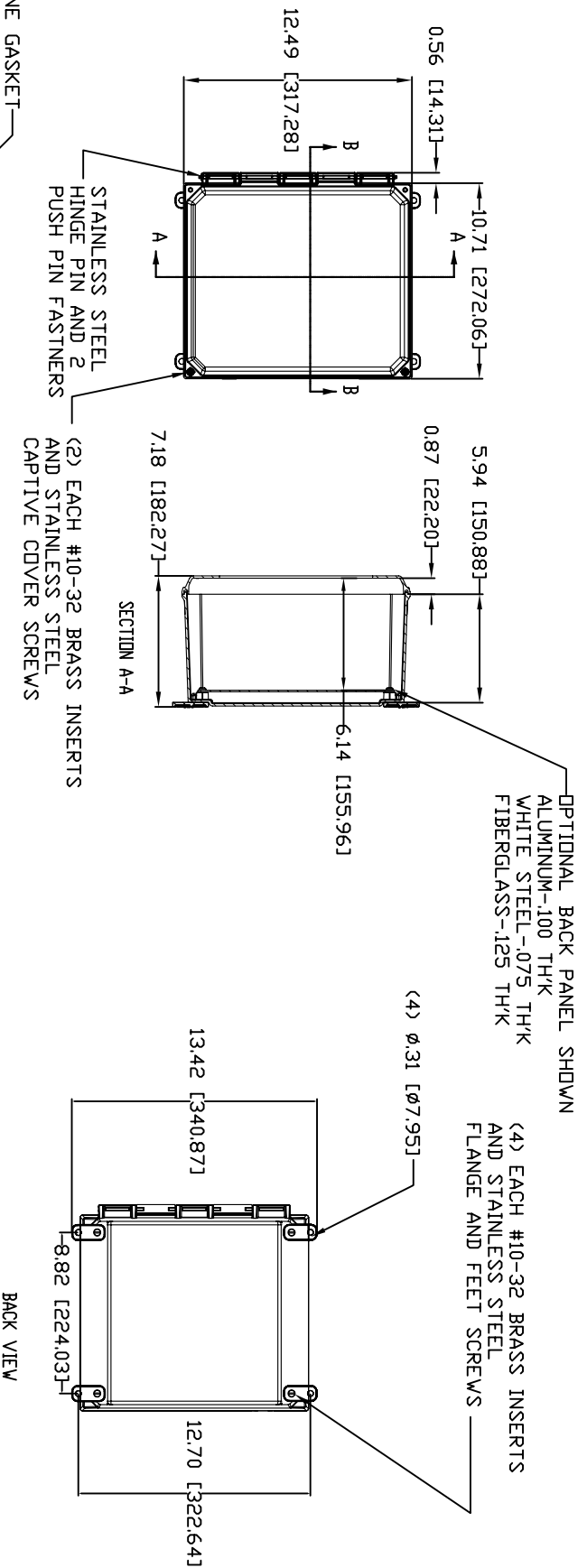


AMU1206H



MATERIAL:
 BOX-COMPRESSION MOLDED FIBERGLASS REINFORCED POLYESTER
 COVER-COMPRESSION MOLDED FIBERGLASS REINFORCED POLYESTER
 CLEAR COVER AND WINDOWS-POLYCARBONATE

CONFIDENTIAL

THIS MATERIAL IS INTENDED FOR THE ALIAD PRODUCT SERIES ONLY. IT IS NOT TO BE REPRODUCED OR DISTRIBUTED WITHOUT WRITTEN PERMISSION FROM ALIAD MOULDED PRODUCTS.

ALIAD MOULDED PRODUCTS
 The Original Style. The Old Way.

PRODUCT SERIES
ULTRALINE™

REV. 3/22/07