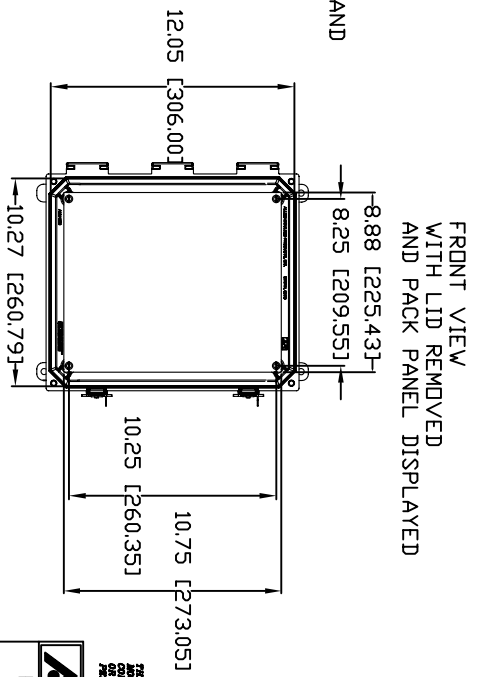
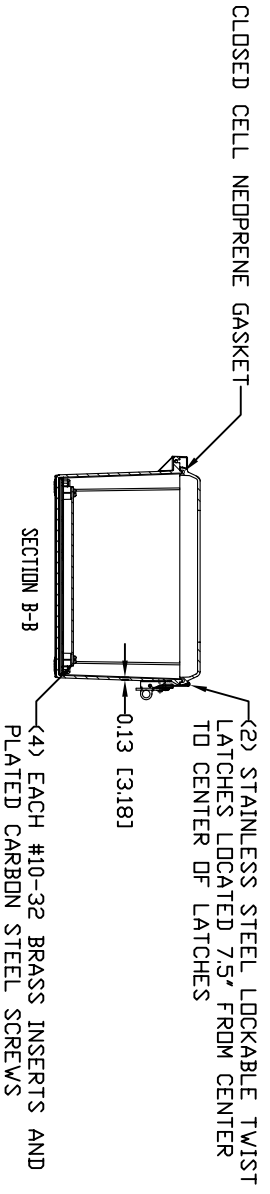
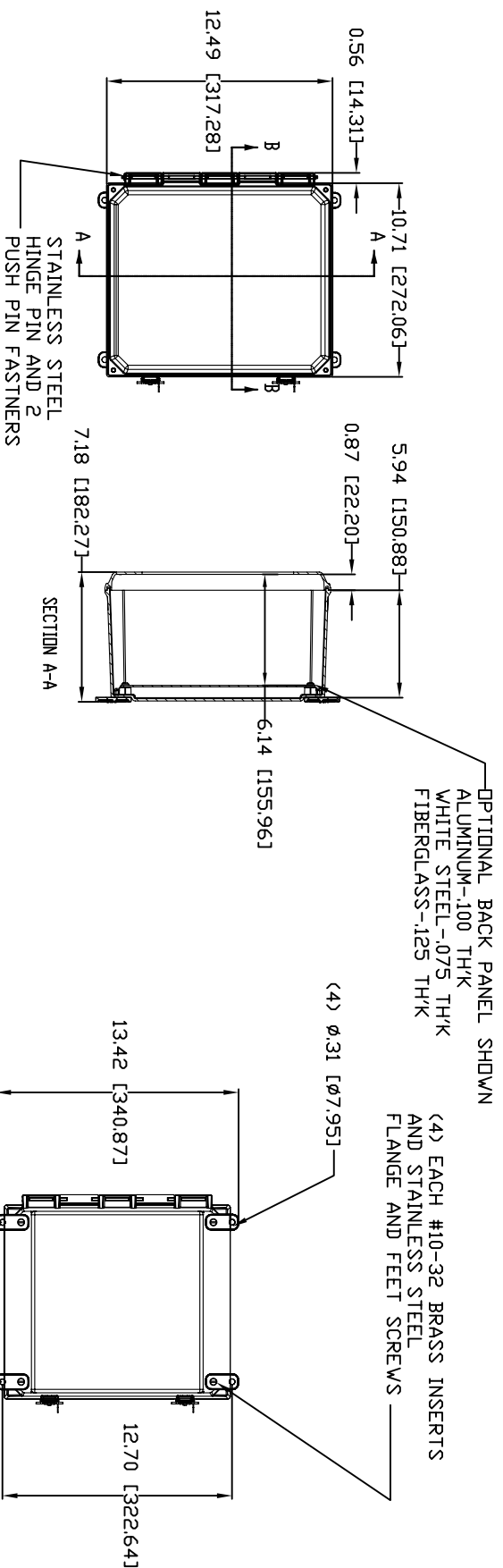


AMU1206T



CLOSED CELL NEOPRENE GASKET

MATERIAL:
 BOX-COMPRESSION MOLDED FIBERGLASS REINFORCED POLYESTER
 COVER-COMPRESSION MOLDED FIBERGLASS REINFORCED POLYESTER
 CLEAR COVER AND WINDOWS-POLYCARBONATE

CONFIDENTIAL

THIS MATERIAL IS INTENDED FOR THE ALIAD PRODUCT SERIES AND IS NOT TO BE REPRODUCED OR DISTRIBUTED WITHOUT WRITTEN PERMISSION FROM ALIAD MOLDED PRODUCTS.

ALIAD MOLDED PRODUCTS
 2600 Bryn Mawr Ave., Oakdale, CA 95361

PRODUCT SERIES
 ULTRALINE™

REV. 3/22/07