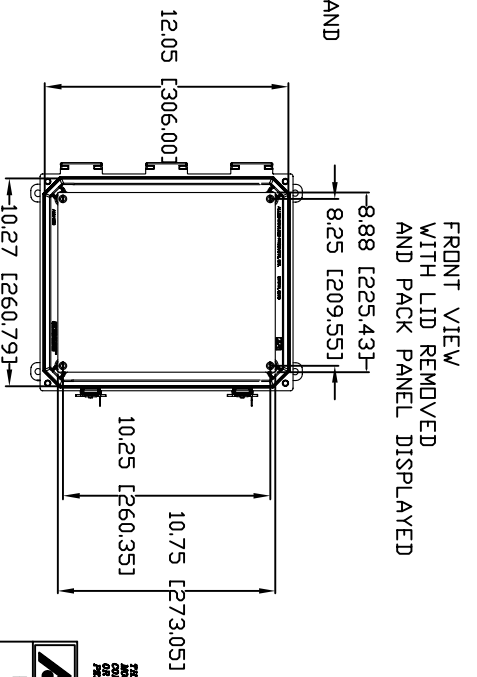
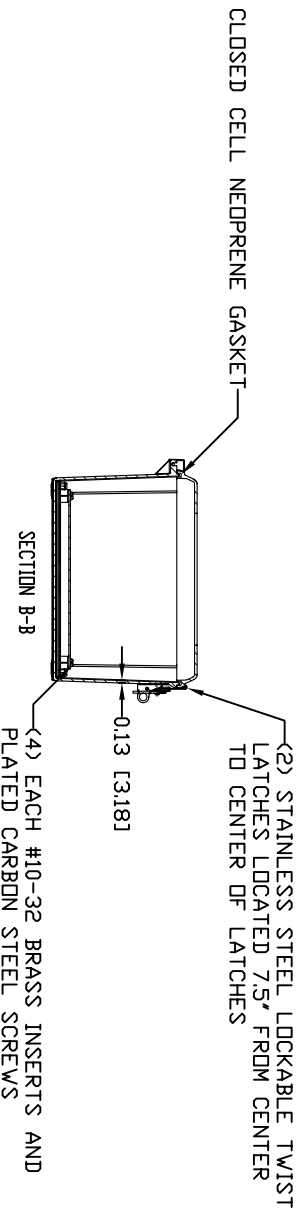
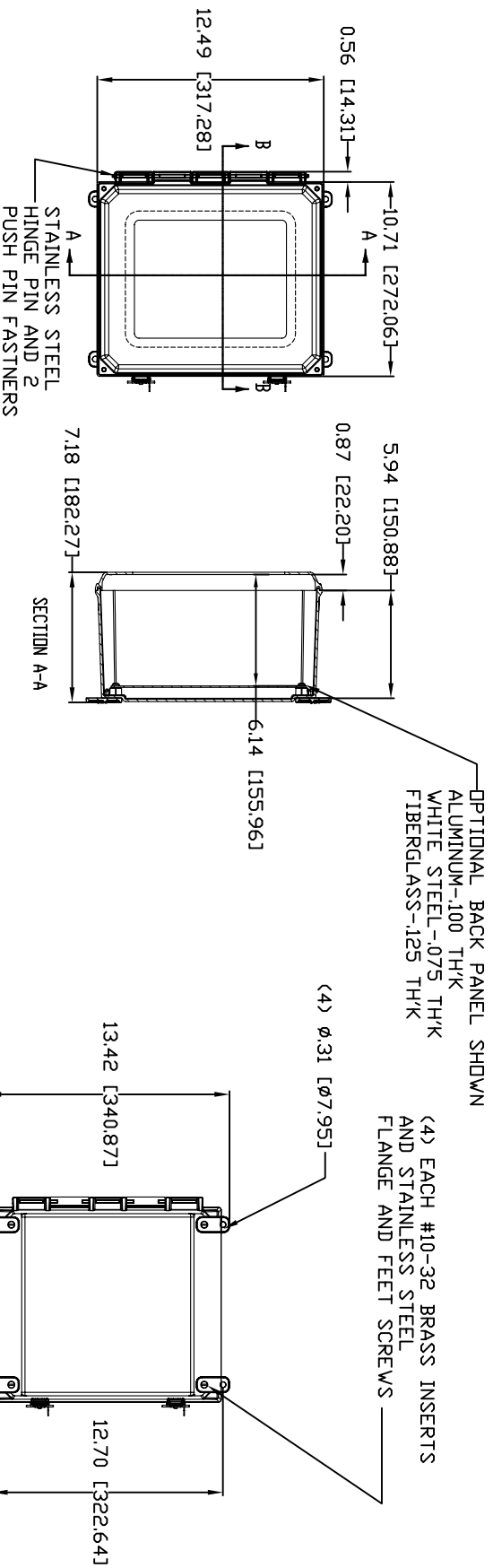


AMU1206TW



MATERIAL:
BOX-COMPRESSION MOLDED FIBERGLASS REINFORCED POLYESTER
COVER-COMPRESSION MOLDED FIBERGLASS REINFORCED POLYESTER
CLEAR COVER AND WINDOWS-POLYCARBONATE

CONFIDENTIAL

THIS MATERIAL IS INTENDED FOR THE ALIAD
PRODUCT SERIES AND IS NOT TO BE REPRODUCED
OR DISTRIBUTED WITHOUT WRITTEN
PERMISSION FROM ALIAD MOLDED PRODUCTS.

ALIAD MOLDED PRODUCTS
The Original. Still. Here. Over Time.

PRODUCT SERIES
ULTRALINE™

REV. 3/22/07