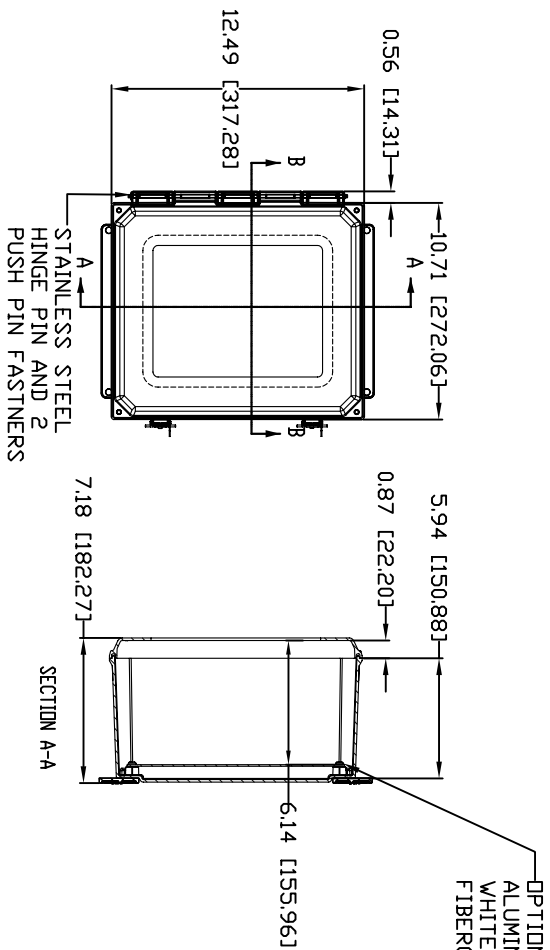


AMU1206TWF

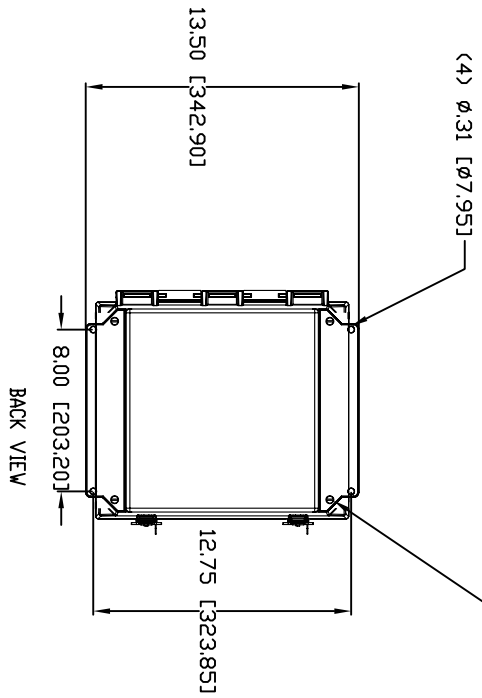
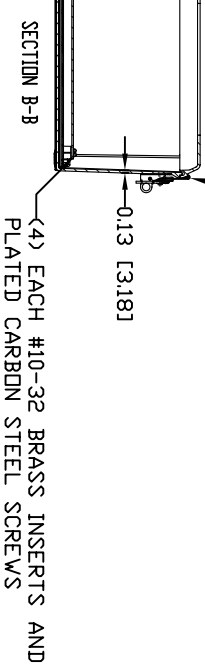


OPTIONAL BACK PANEL SHOWN  
ALUMINUM-.100 THK  
WHITE STEEL-.075 THK  
FIBERGLASS-.125 THK

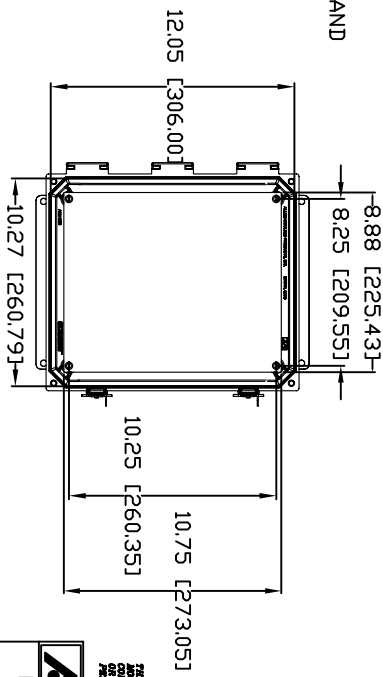
(4) EACH #10-32 BRASS INSERTS AND STAINLESS STEEL FLANGE AND FEET SCREWS

CLOSED CELL NEOPRENE GASKET

(2) STAINLESS STEEL LOCKABLE TWIST LATCHES LOCATED 7.5" FROM CENTER TO CENTER OF LATCHES



FRONT VIEW WITH LID REMOVED AND PACK PANEL DISPLAYED



MATERIAL:  
BOX-COMPRESSION MOLDED FIBERGLASS REINFORCED POLYESTER  
COVER-COMPRESSION MOLDED FIBERGLASS REINFORCED POLYESTER  
CLEAR COVER AND WINDOWS-POLYCARBONATE

CONFIDENTIAL

THIS MATERIAL IS OFFERED BY THE ALIAD GROUP FOR THE ALIAD PRODUCT SERIES. IT IS NOT TO BE REPRODUCED OR DISTRIBUTED WITHOUT WRITTEN PERMISSION FROM ALIAD GROUP PRODUCTS.

ALIAD MOLDED PRODUCTS  
The Original Style. The Old Way.

PRODUCT SERIES  
ULTRALINE™

REV. 3/22/07