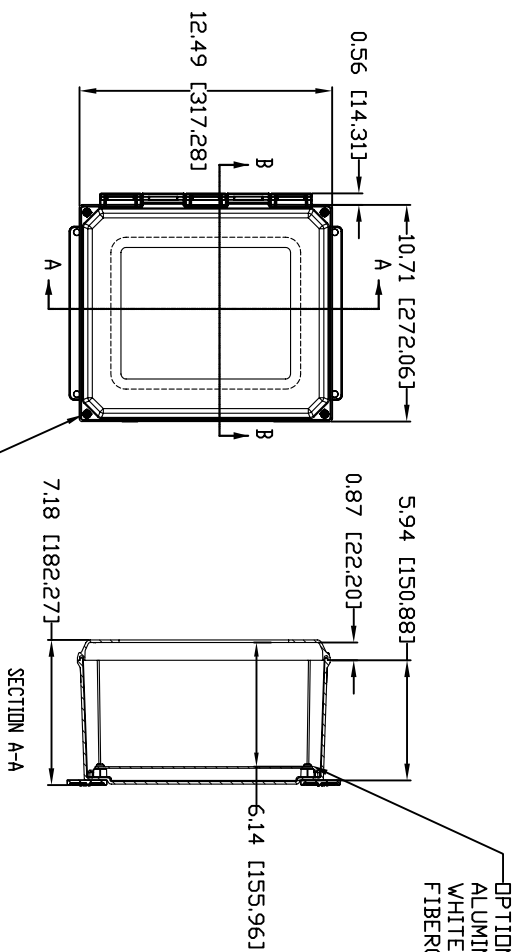
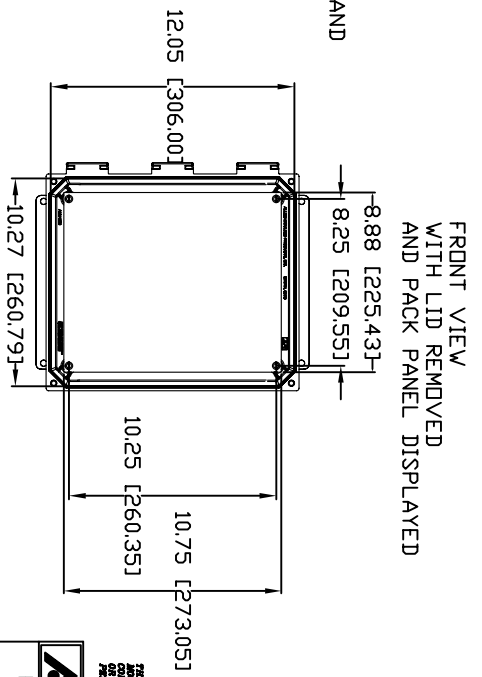
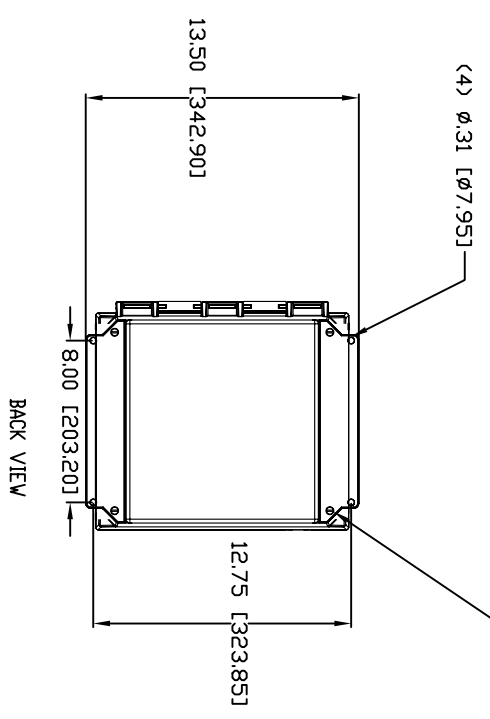


AMU1206WF



OPTIONAL BACK PANEL SHOWN
ALUMINUM-.100 THK
WHITE STEEL-.075 THK
FIBERGLASS-.125 THK

(4) EACH #10-32 BRASS INSERTS AND STAINLESS STEEL FLANGE AND FEET SCREWS



CLOSED CELL NEOPRENE GASKET

(4) EACH #10-32 BRASS INSERTS AND PLATED CARBON STEEL SCREWS

0.13 [3.18]

MATERIAL:
BOX-COMPRESSION MOLDED FIBERGLASS REINFORCED POLYESTER
COVER-COMPRESSION MOLDED FIBERGLASS REINFORCED POLYESTER
CLEAR COVER AND WINDOWS-POLYCARBONATE

CONFIDENTIAL

THIS MATERIAL IS INTENDED FOR THE ALIAD PRODUCT SERIES AND IS NOT TO BE REPRODUCED OR DISTRIBUTED WITHOUT WRITTEN PERMISSION FROM ALIAD MOULDED PRODUCTS.

ALIAD MOULDED PRODUCTS
The Original Style. Since. Our Day.

PRODUCT SERIES
ULTRALINE™

REV. 3/22/07