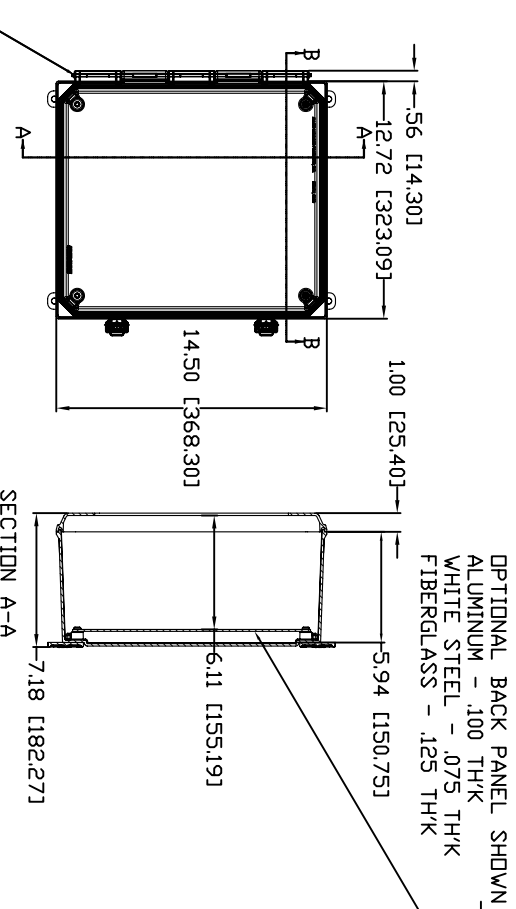
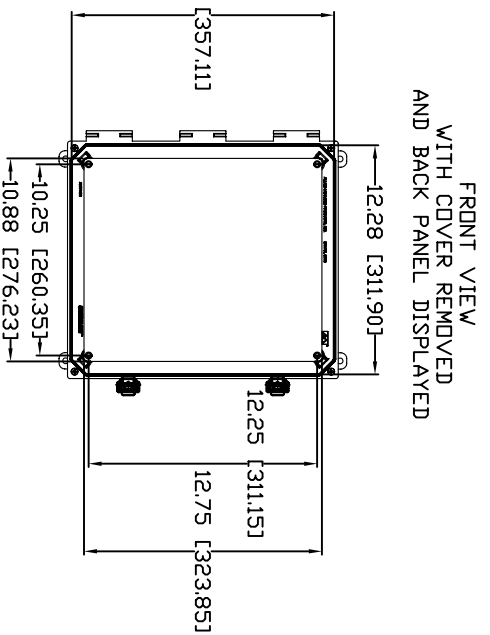
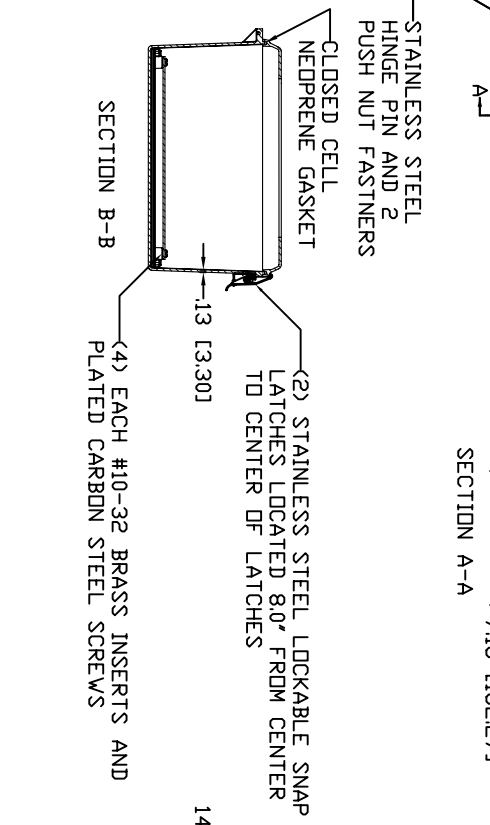
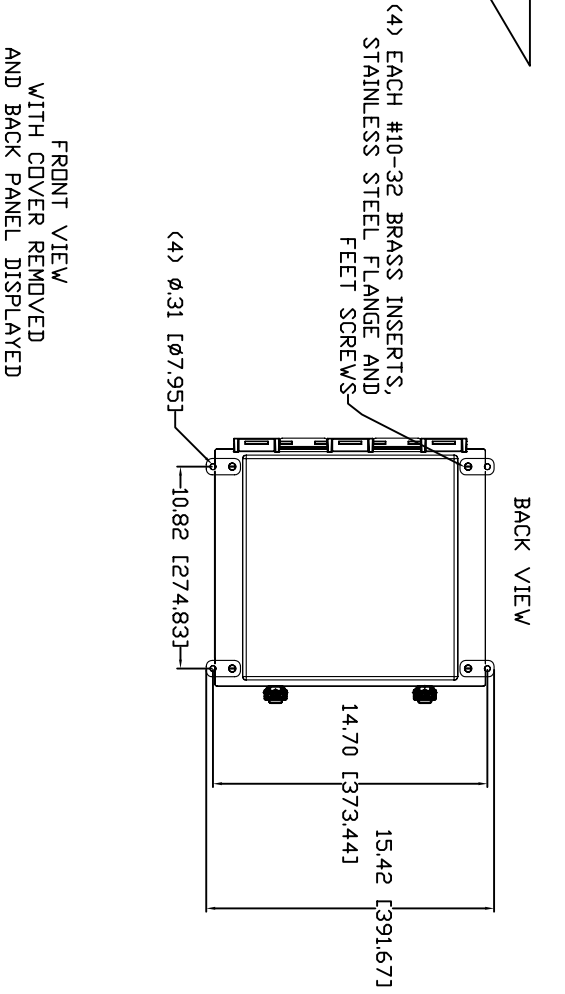


AMU1426CCL



OPTIONAL BACK PANEL SHOWN
 ALUMINUM - .100 THK
 WHITE STEEL - .075 THK
 FIBERGLASS - .125 THK



MATERIAL:
 BOX-COMPRESSION MOLDED FIBERGLASS REINFORCED POLYESTER
 COVER-COMPRESSION MOLDED FIBERGLASS REINFORCED POLYESTER
 CLEAR COVER AND WINDOWS-POLYCARBONATE

CONFIDENTIAL

THIS MATERIAL IS OWNED BY THE ALLIED ULTRALINE™ AND IS NOT TO BE REPRODUCED OR TRANSMITTED IN ANY FORM OR BY ANY MEANS, ELECTRONIC OR MECHANICAL, INCLUDING PHOTOCOPYING, RECORDING, OR BY ANY INFORMATION STORAGE AND RETRIEVAL SYSTEM.

ALLIED MOLDED PRODUCTS
 The Original. The Best. The Only One.

PRODUCT SERIES
 ULTRALINE™

REV. 4/2/07