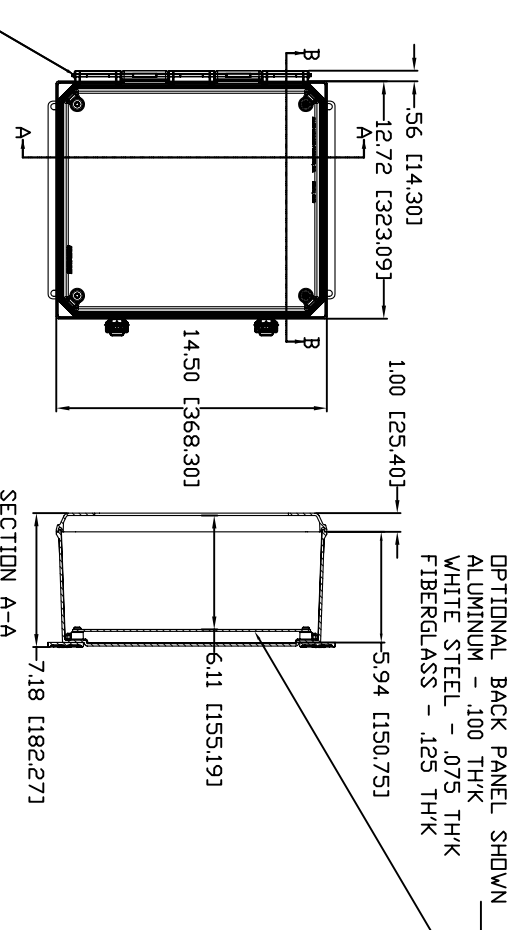
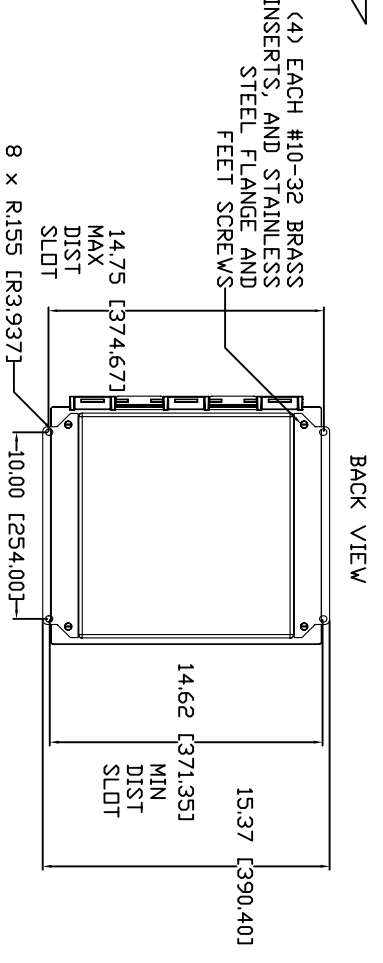
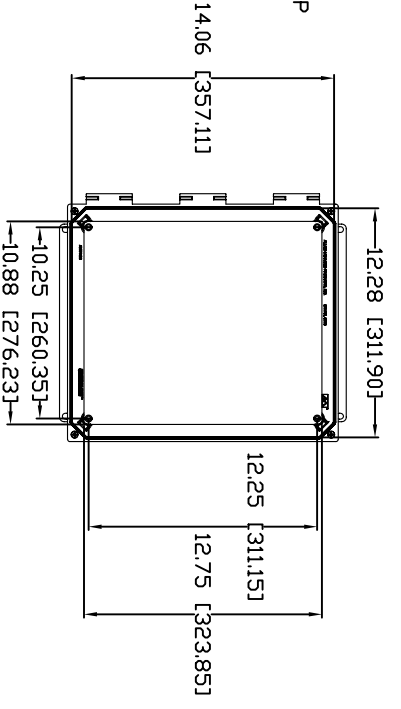


AMU1426CCLF



OPTIONAL BACK PANEL SHOWN
 ALUMINUM - .100 THK
 WHITE STEEL - .075 THK
 FIBERGLASS - .125 THK

FRONT VIEW
 WITH COVER REMOVED
 AND BACK PANEL DISPLAYED



CLOSED CELL NEOPRENE GASKET

(2) STAINLESS STEEL LOCKABLE SNAP LATCHES LOCATED 80° FROM CENTER TO CENTER OF LATCHES

(4) EACH #10-32 BRASS INSERTS AND PLATED CARBON STEEL SCREWS

MATERIAL:
 BOX-COMPRESSION MOLDED FIBERGLASS REINFORCED POLYESTER
 COVER-COMPRESSION MOLDED FIBERGLASS REINFORCED POLYESTER
 CLEAR COVER AND WINDOWS-POLYCARBONATE