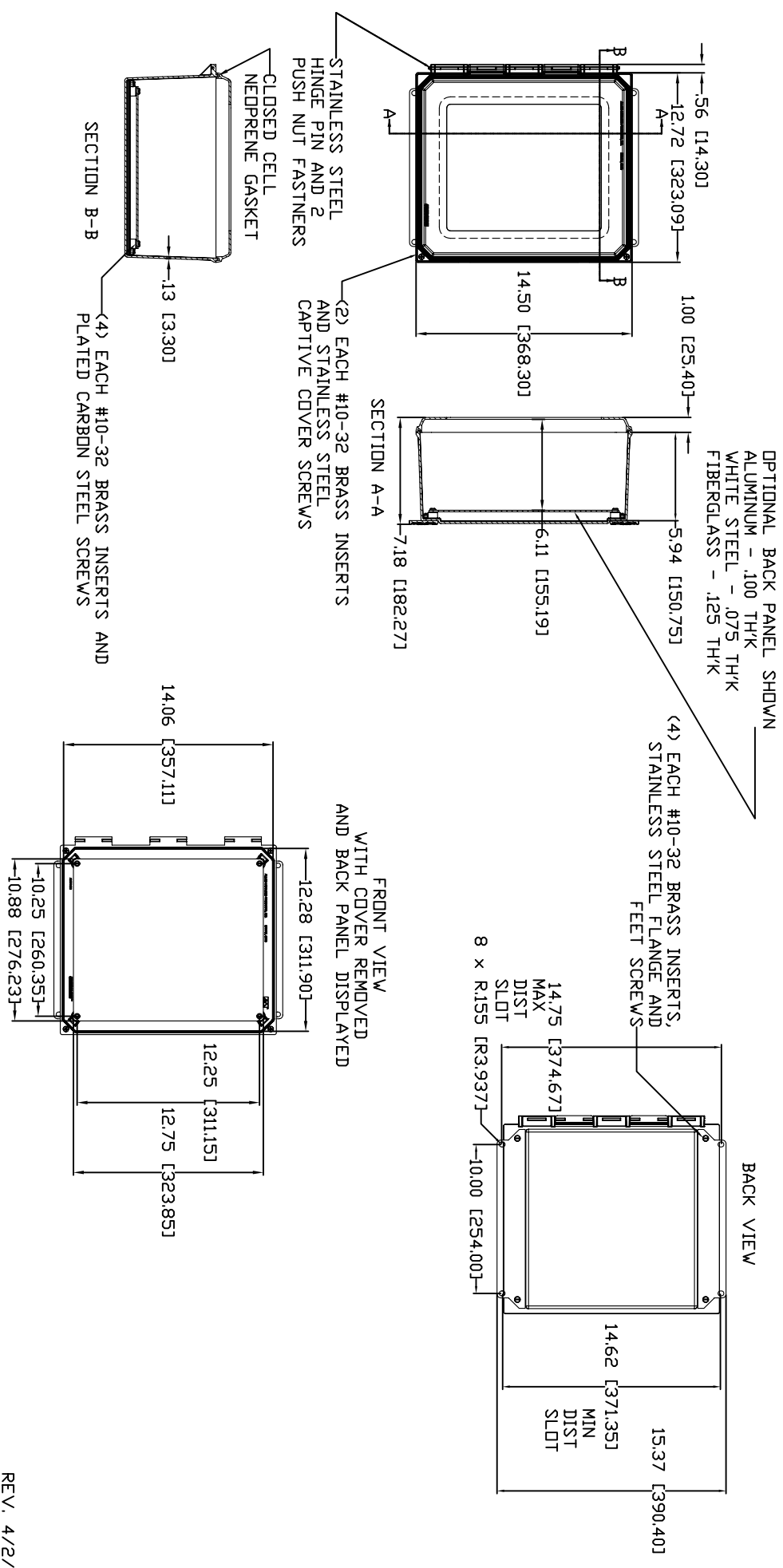


AMU1426HWF



MATERIAL:  
 BOX-COMPRESSION MOLDED FIBERGLASS REINFORCED POLYESTER  
 COVER-COMPRESSION MOLDED FIBERGLASS REINFORCED POLYESTER  
 CLEAR COVER AND WINDOWS-POLYCARBONATE

CONFIDENTIAL

THIS MATERIAL IS OWNED BY THE ALLIED ULTRALINE™ PRODUCT SERIES. ANY REPRODUCTION OR DISTRIBUTION OF THIS MATERIAL WITHOUT THE WRITTEN PERMISSION OF THE ALLIED ULTRALINE™ PRODUCT SERIES IS STRICTLY PROHIBITED.

ALLIED MOLDED PRODUCTS  
 The Original. The Best. The Only One.

PRODUCT SERIES  
 ULTRALINE™

REV. 4/2/07