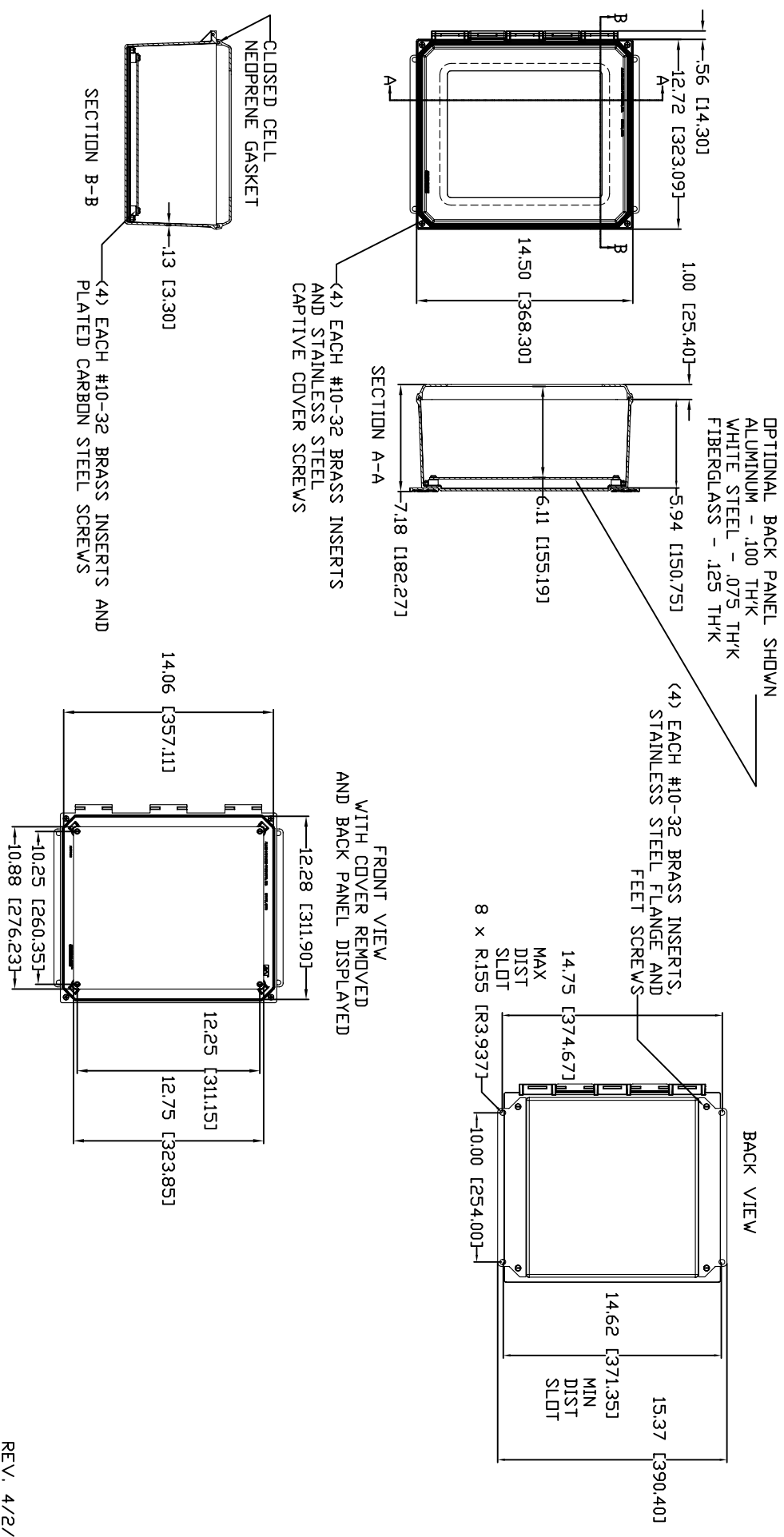


AMU1426 WF



MATERIAL:  
 BOX-COMPRESSION MOLDED FIBERGLASS REINFORCED POLYESTER  
 COVER-COMPRESSION MOLDED FIBERGLASS REINFORCED POLYESTER  
 CLEAR COVER AND WINDOWS-POLYCARBONATE

CONFIDENTIAL

THIS MATERIAL IS OWNED BY THE ALLIED  
 CORPORATION AND IS NOT TO BE REPRODUCED  
 OR TRANSMITTED IN ANY FORM OR BY ANY  
 MEANS, ELECTRONIC OR MECHANICAL,  
 INCLUDING PHOTOCOPYING, RECORDING,  
 OR BY ANY INFORMATION STORAGE AND  
 RETRIEVAL SYSTEM.

ALLIED MOLDING PRODUCTS  
 The Original Molded Panel Gasket Idea

PRODUCT SERIES  
 ULTRALINE™

REV. 4/2/07