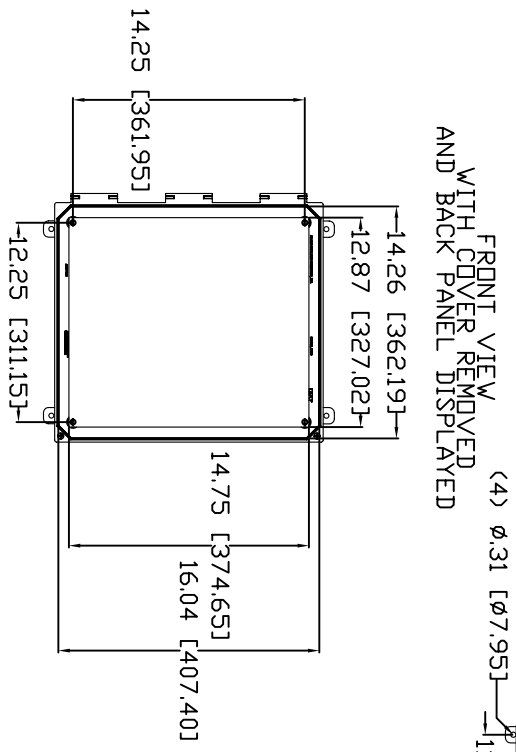
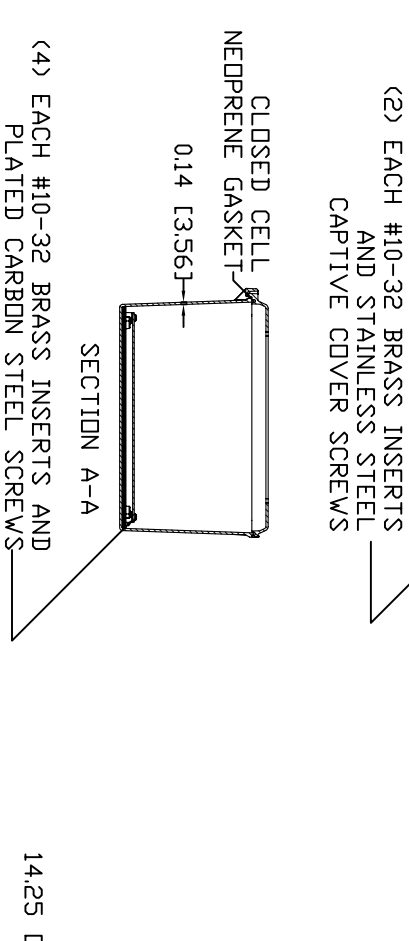
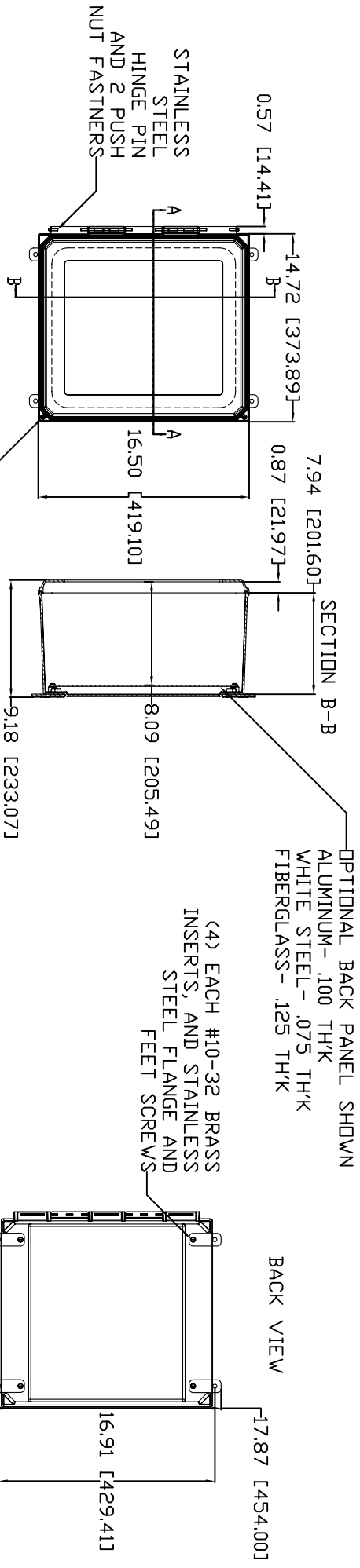


AMU1648HW



MATERIAL:  
BOX-COMPRESSION MOLDED FIBERGLASS REINFORCED POLYESTER  
COVER-COMPRESSION MOLDED FIBERGLASS REINFORCED POLYESTER  
CLEAR COVER AND WINDOWS-POLYCARBONATE

REV. 4/2/07

CONVENTIONAL

ALLIED INDUSTRIAL PRODUCTS

PRODUCT SERIES

ULTRALINE™