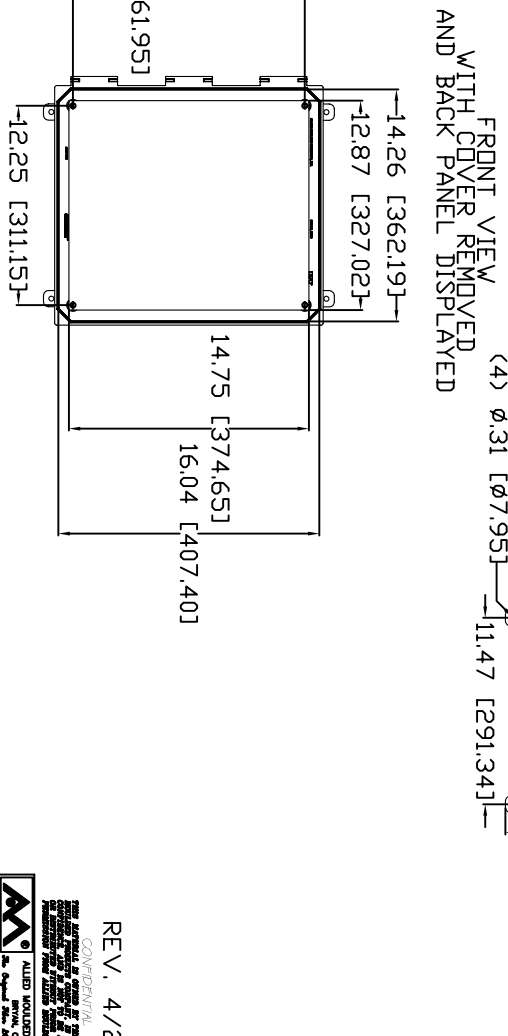
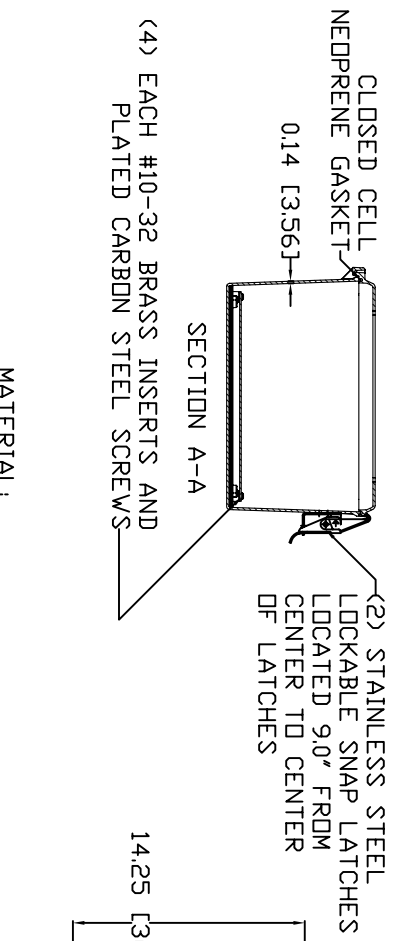
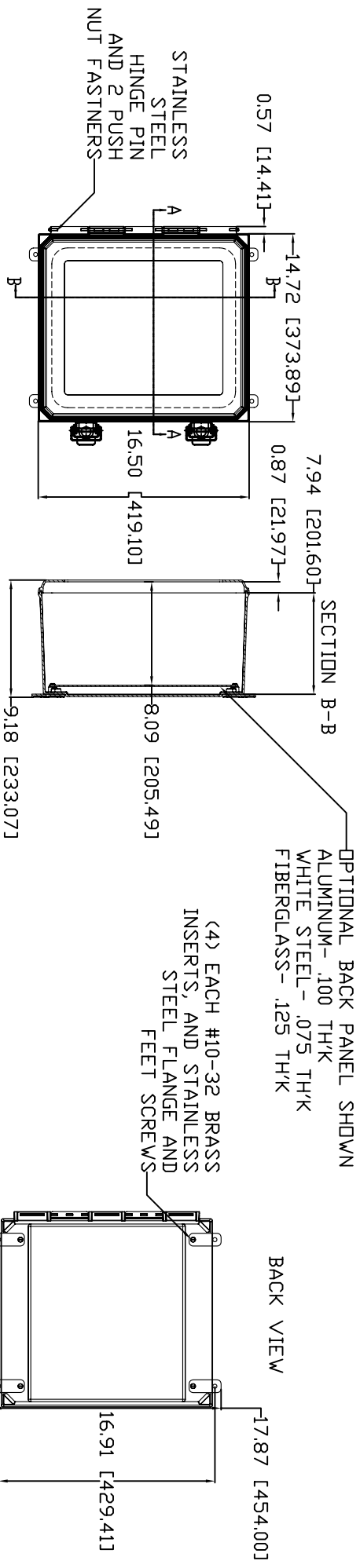


AMU1648LW



MATERIAL:  
 BOX-COMPRESSION MOLDED FIBERGLASS REINFORCED POLYESTER  
 COVER-COMPRESSION MOLDED FIBERGLASS REINFORCED POLYESTER  
 CLEAR COVER AND WINDOWS-POLYCARBONATE

CONVENTIONAL

ALLIED INDUSTRIAL PRODUCTS

PRODUCT SERIES

ULTRALINE™

REV. 4/2/07