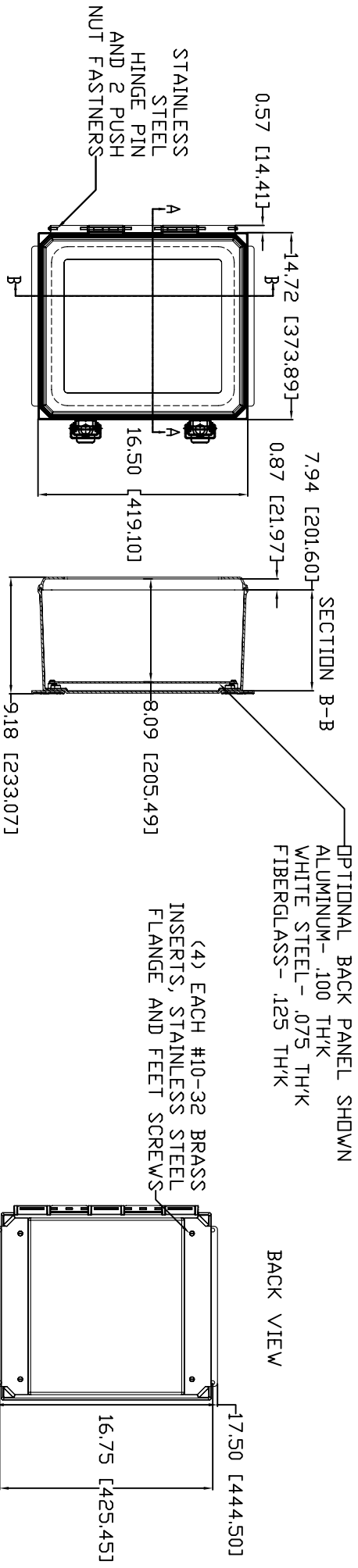
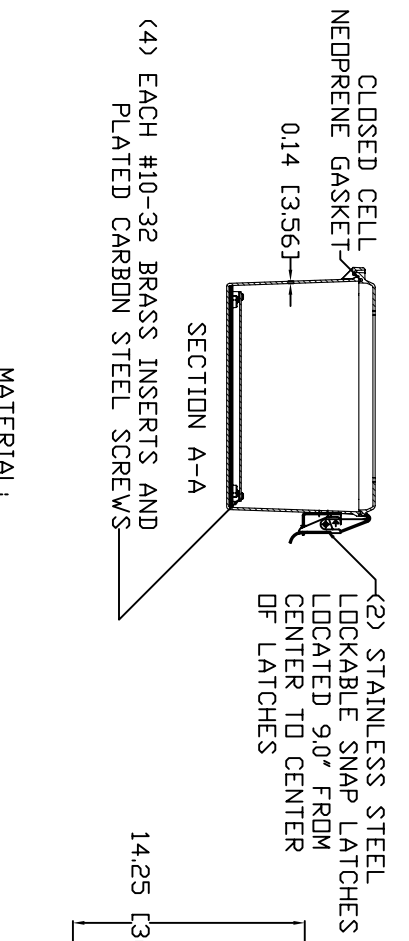


AMU1648LWF



FRONT VIEW WITH COVER REMOVED AND BACK PANEL DISPLAYED



MATERIAL:  
 BOX-COMPRESSION MOLDED FIBERGLASS REINFORCED POLYESTER  
 COVER-COMPRESSION MOLDED FIBERGLASS REINFORCED POLYESTER  
 CLEAR COVER AND WINDOWS-POLYCARBONATE

REV. 4/2/07

CONVENTIONAL

ALLIED INDUSTRIAL PRODUCTS

PRODUCT SERIES

ULTRALINE™