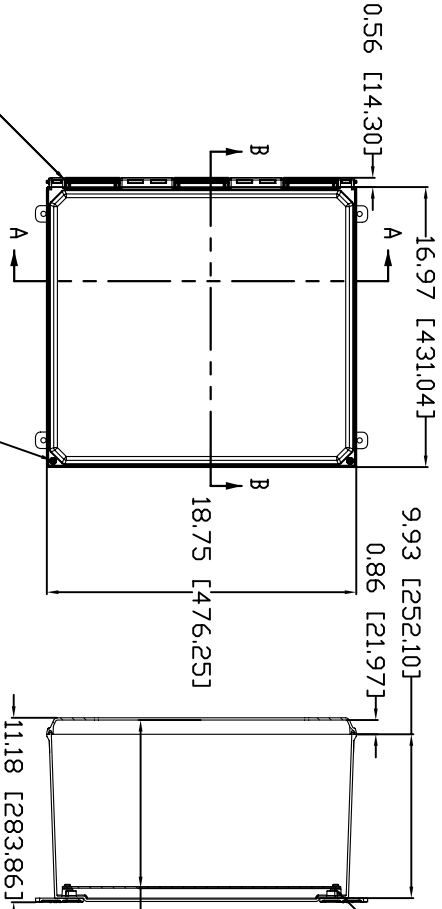
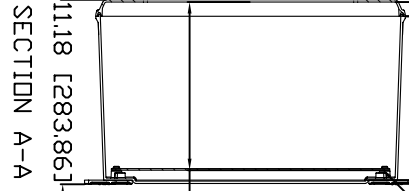


AMU1860H

OPTIONAL BACK PANEL SHOWN  
ALUMINUM - .100 THK  
WHITE STEEL - .075 THK  
FIBERGLASS - .125 THK

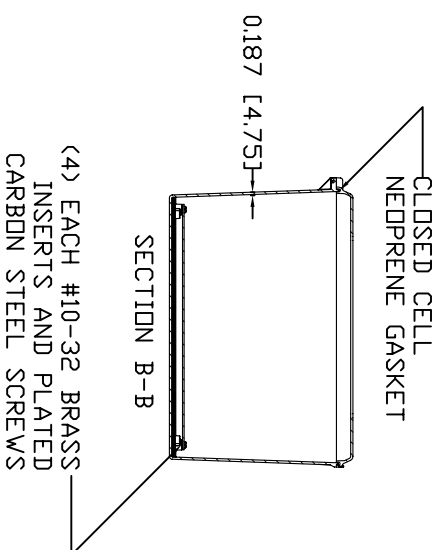
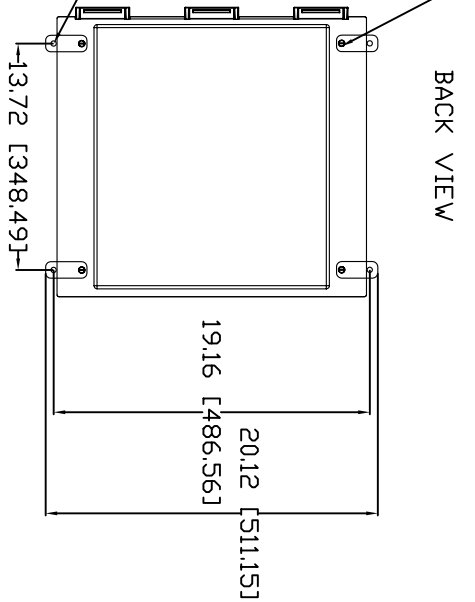
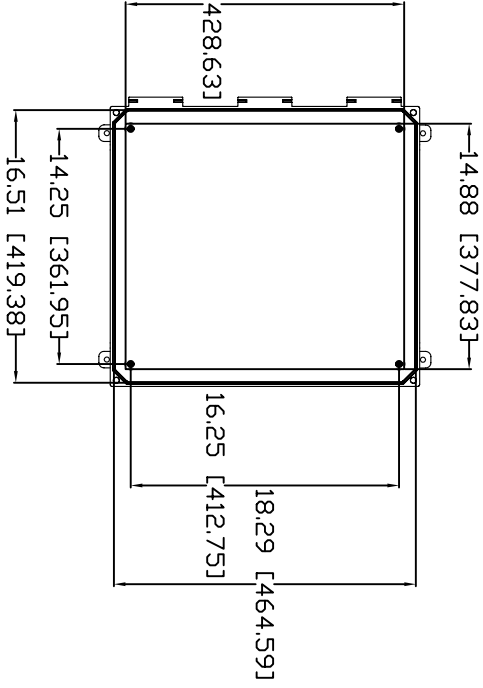


STAINLESS STEEL HINGE PIN AND 2 PUSH NUT FASTENERS  
(2) EACH #10-32 BRASS INSERTS AND STAINLESS STEEL CAPTIVE COVER SCREWS



(4) EACH #10-32 BRASS INSERTS, AND STAINLESS STEEL FLANGE AND FEET SCREWS  
(4)  $\phi$ .31 [Ø7.95]

FRONT VIEW WITH COVER REMOVED AND BACK PANEL SHOWN



(4) EACH #10-32 BRASS INSERTS AND PLATED CARBON STEEL SCREWS

MATERIAL:  
BOX-COMPRESSION MOLDED FIBERGLASS REINFORCED POLYESTER COVER-COMPRESSION MOLDED FIBERGLASS REINFORCED POLYESTER CLEAR COVER AND WINDOWS-POLYCARBONATE

REV. 12/12/07  
REV. 4/2/07

