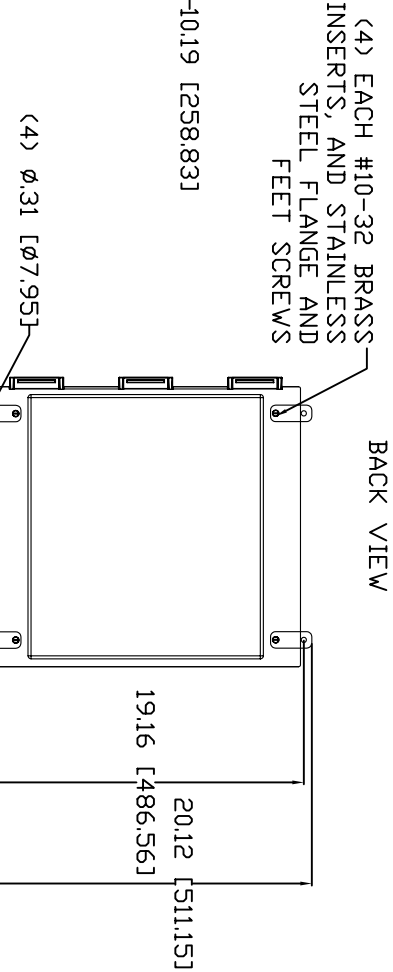
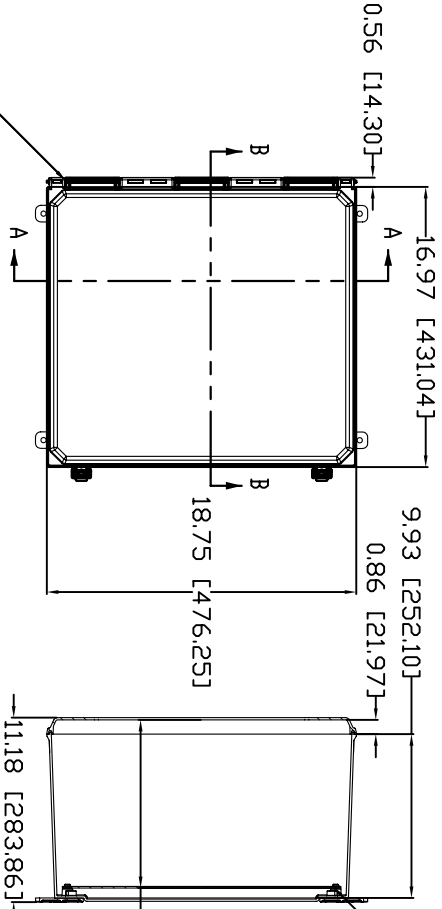


AMU1860L

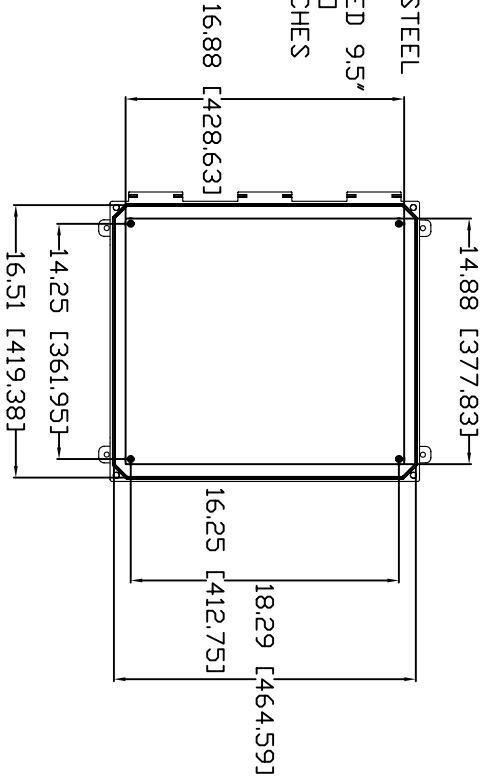
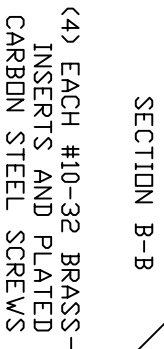
OPTIONAL BACK PANEL SHOWN
 ALUMINUM - .100 THK
 WHITE STEEL - .075 THK
 FIBERGLASS - .125 THK



STAINLESS STEEL
 HINGE PIN AND 2
 PUSH NUT FASTENERS

CLOSED CELL
 NEOPRENE GASKET

(2) STAINLESS STEEL
 LOCKABLE SNAP
 LATCHES LOCATED 9.5"
 FROM CENTER TO
 CENTER OF LATCHES



MATERIAL:
 BOX-COMPRESSION MOLDED FIBERGLASS REINFORCED POLYESTER
 COVER-COMPRESSION MOLDED FIBERGLASS REINFORCED POLYESTER
 CLEAR COVER AND WINDOWS-POLYCARBONATE

REV. 12/12/07
 REV. 4/2/07

