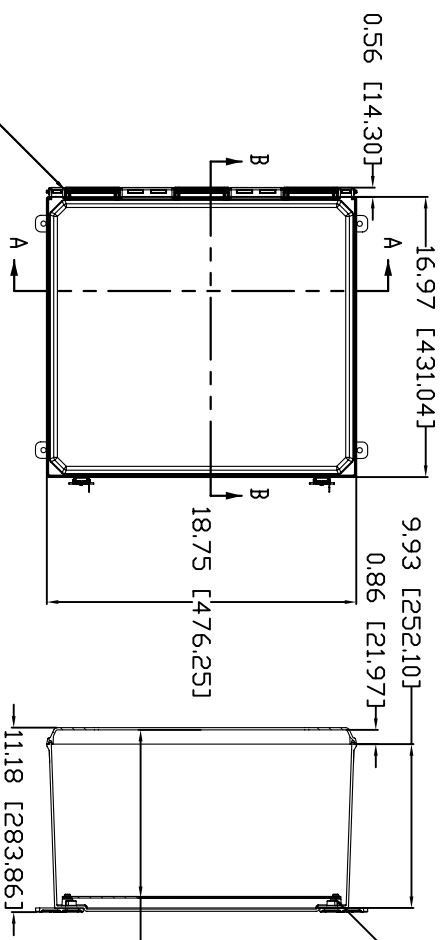


AMU1860T

OPTIONAL BACK PANEL SHOWN  
 ALUMINUM - .100 THK  
 WHITE STEEL - .075 THK  
 FIBERGLASS - .125 THK



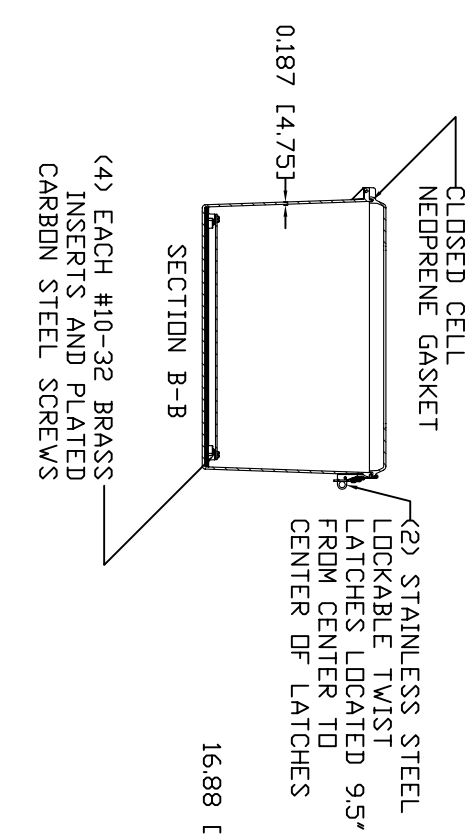
SECTION A-A

STAINLESS STEEL  
 HINGE PIN AND 2  
 PUSH NUT FASTENERS

(4) EACH #10-32 BRASS  
 INSERTS, AND STAINLESS  
 STEEL FLANGE AND  
 FEET SCREWS

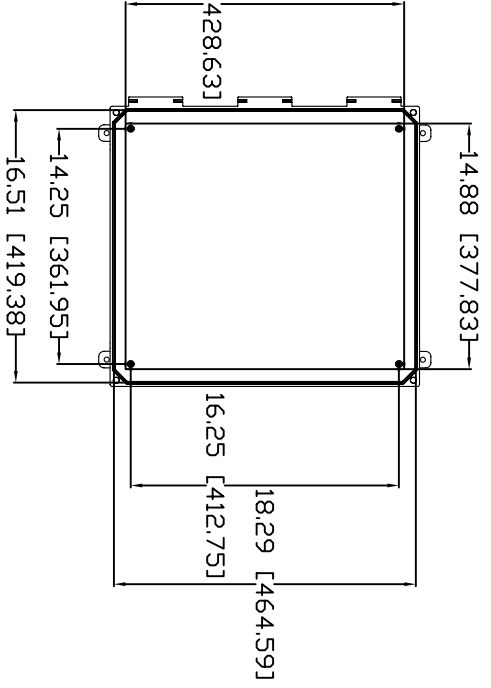
(4)  $\phi$ .31 [Ø7.95]

FRONT VIEW  
 WITH COVER REMOVED  
 AND BACK PANEL SHOWN

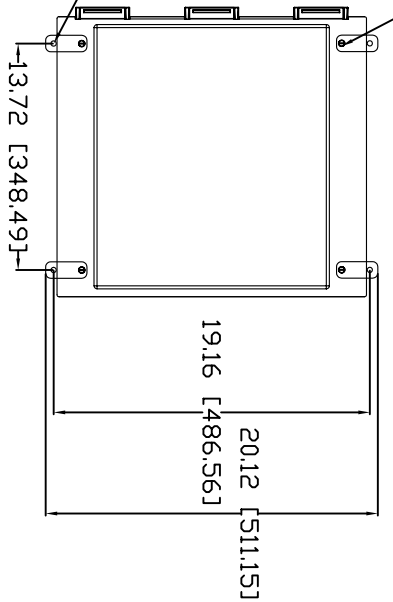


SECTION B-B

(4) EACH #10-32 BRASS  
 INSERTS AND PLATED  
 CARBON STEEL SCREWS



BACK VIEW



MATERIAL:  
 BOX-COMPRESSION MOLDED FIBERGLASS REINFORCED POLYESTER  
 COVER-COMPRESSION MOLDED FIBERGLASS REINFORCED POLYESTER  
 CLEAR COVER AND WINDOWS-POLYCARBONATE

REV. 12/12/07  
 REV. 4/2/07

