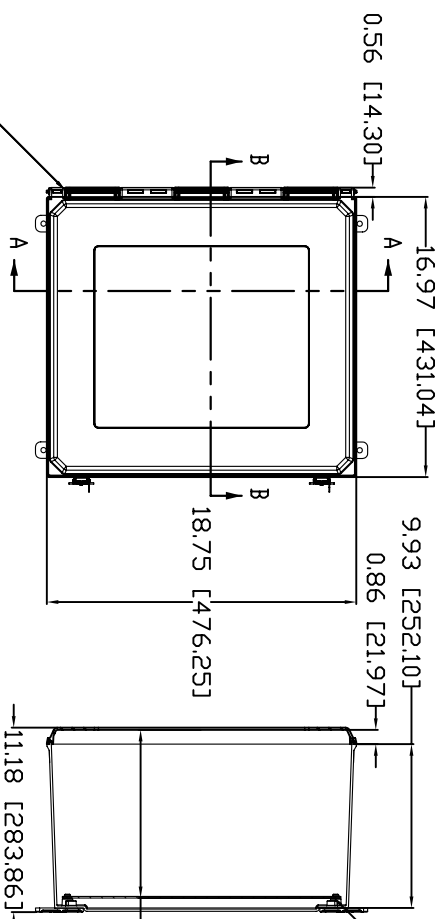


AMU1860TW

OPTIONAL BACK PANEL SHOWN  
 ALUMINUM - .100 THK  
 WHITE STEEL - .075 THK  
 FIBERGLASS - .125 THK

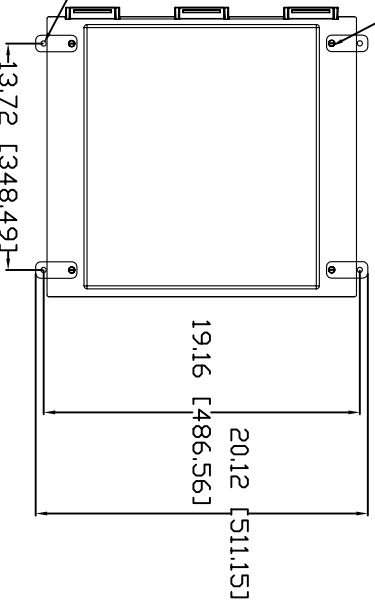


SECTION A-A

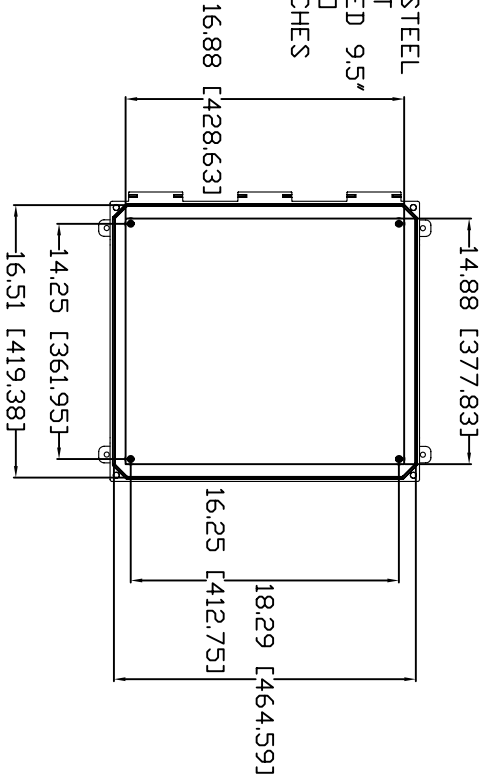
STAINLESS STEEL  
 HINGE PIN AND 2  
 PUSH NUT FASTENERS

(4) EACH #10-32 BRASS  
 INSERTS, AND STAINLESS  
 STEEL FLANGE AND  
 FEET SCREWS

BACK VIEW

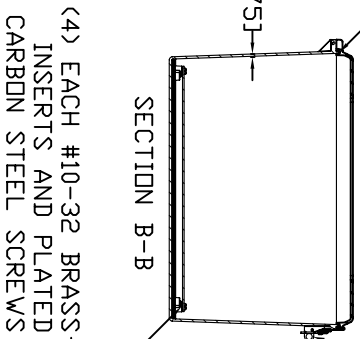


FRONT VIEW  
 WITH COVER REMOVED  
 AND BACK PANEL SHOWN



(2) STAINLESS STEEL  
 LOCKABLE TWIST  
 LATCHES LOCATED 9.5"  
 FROM CENTER TO  
 CENTER OF LATCHES

SECTION B-B



(4) EACH #10-32 BRASS  
 INSERTS AND PLATED  
 CARBON STEEL SCREWS

CLOSED CELL  
 NEOPRENE GASKET

MATERIAL:  
 BOX-COMPRESSION MOLDED FIBERGLASS REINFORCED POLYESTER  
 COVER-COMPRESSION MOLDED FIBERGLASS REINFORCED POLYESTER  
 CLEAR COVER AND WINDOWS-POLYCARBONATE

REV. 12/12/07  
 REV. 4/2/07

