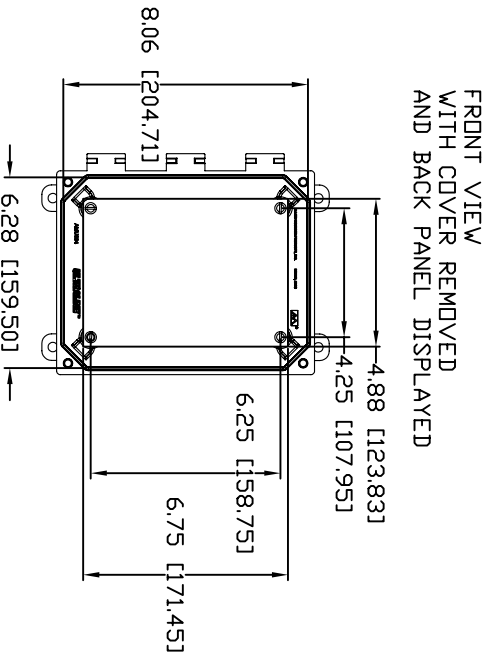
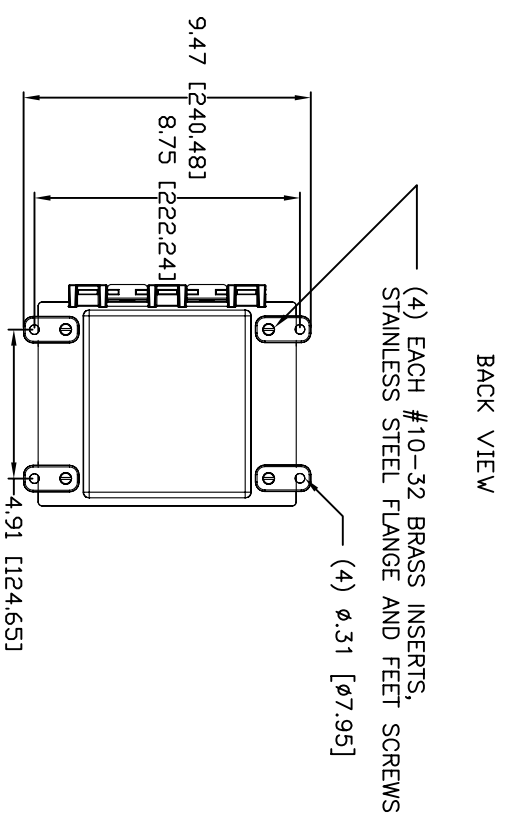
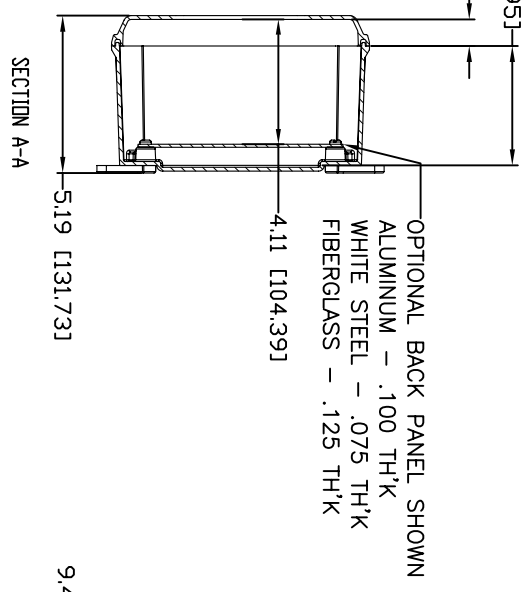
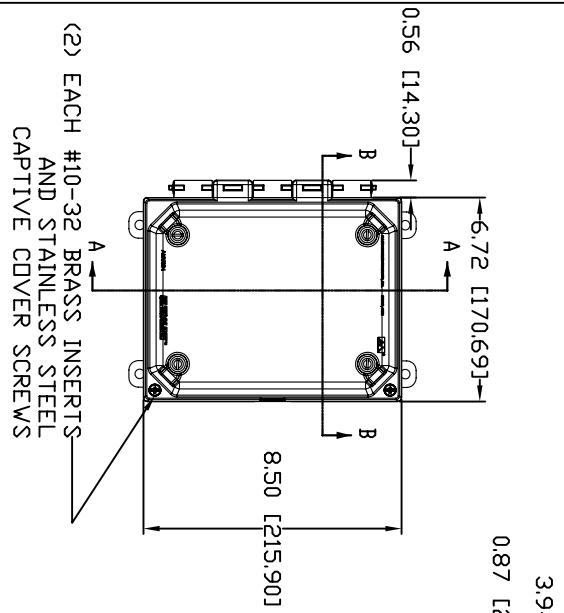


AMU864CCH



MATERIAL:
 BOX-COMPRESSION MOLDED FIBERGLASS REINFORCED POLYESTER
 COVER-COMPRESSION MOLDED FIBERGLASS AND REINFORCED POLYESTER
 CLEAR COVER AND WINDOWS-POLYCARBONATE

STAINLESS STEEL
 HINGE PIN AND 2 STAINLESS
 STEEL PUSH NUT FASTENERS

(4) EACH #10-32 BRASS INSERTS AND
 PLATED CARBON STEEL SCREWS

REV. 3/19/07

CONFIDENTIAL
 ALLIED WOUNDED PRODUCTS
 10000 WOODLAND AVENUE, SUITE 100, WOODLAND, OHIO 44199
 (440) 949-1000
 FAX (440) 949-1001
 WWW.ALIEDWOUNDED.COM
 ALLIED WOUNDED PRODUCTS
 PRODUCT SERIES
 ULTRALINE™