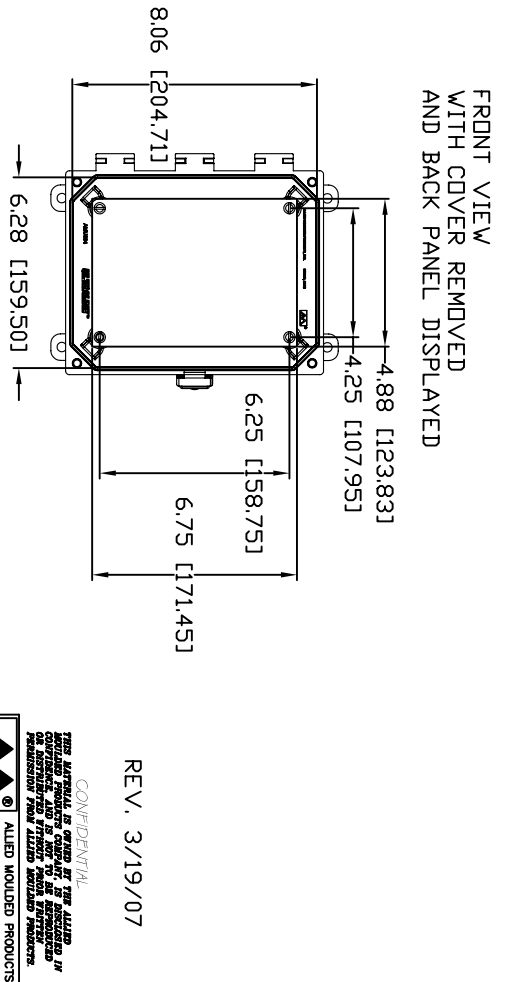
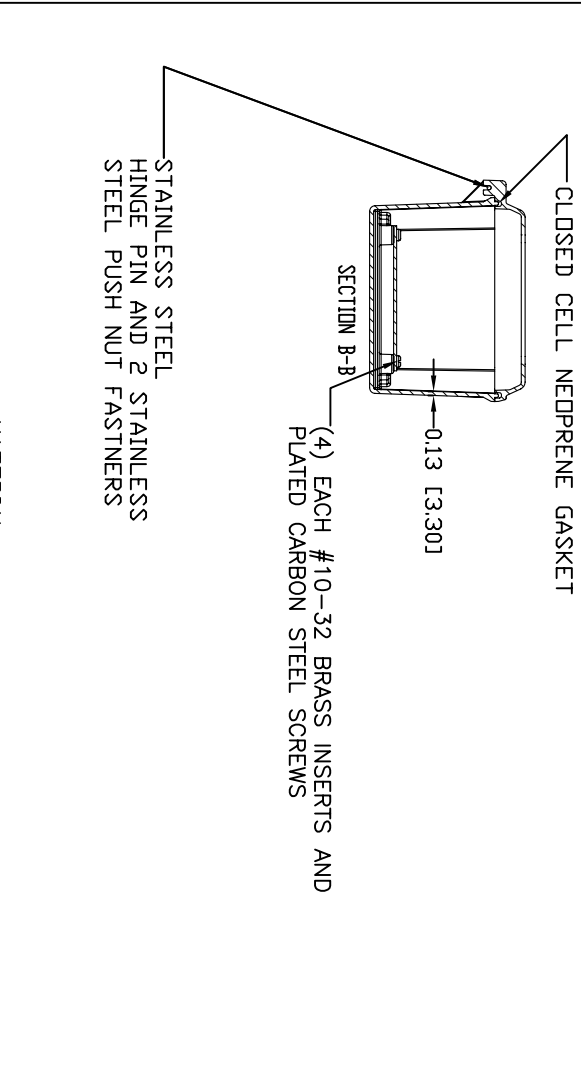
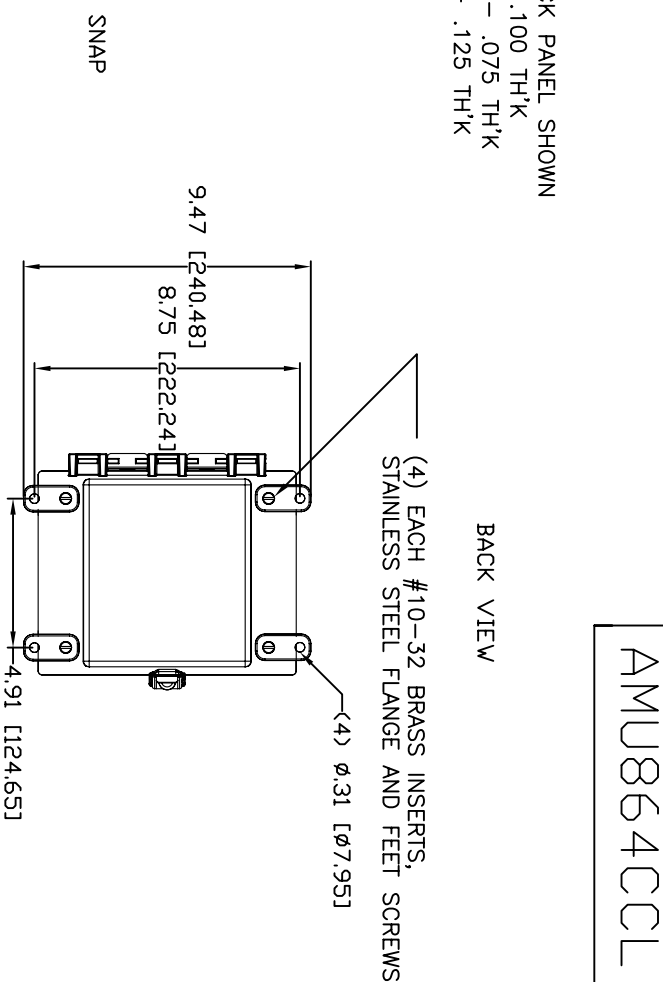
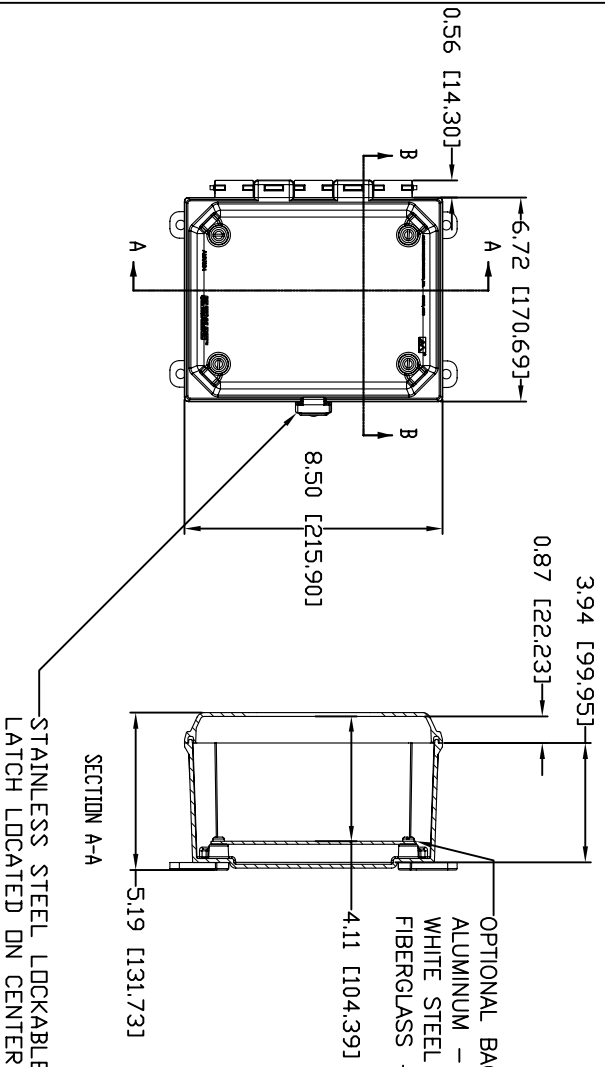


AMU864CCL



MATERIAL:  
BOX-COMPRESSION MOLDED FIBERGLASS REINFORCED POLYESTER  
COVER-COMPRESSION MOLDED FIBERGLASS AND REINFORCED POLYESTER  
CLEAR COVER AND WINDOWS-POLYCARBONATE

STAINLESS STEEL  
HINGE PIN AND 2 STAINLESS  
STEEL PUSH NUT FASTENERS

(4) EACH #10-32 BRASS INSERTS AND  
PLATED CARBON STEEL SCREWS

REV. 3/19/07

CONFIDENTIAL

THE NAME, DESIGN, OR OTHER IDENTIFYING INFORMATION CONTAINED HEREIN IS THE PROPERTY OF ALLIED WOUNDED PRODUCTS AND IS TO BE KEPT CONFIDENTIAL AND NOT TO BE REPRODUCED OR TRANSMITTED IN ANY FORM OR BY ANY MEANS, ELECTRONIC OR MECHANICAL, INCLUDING PHOTOCOPYING, RECORDING, OR BY ANY INFORMATION STORAGE AND RETRIEVAL SYSTEM, WITHOUT PERMISSION FROM ALLIED WOUNDED PRODUCTS.

ALLIED WOUNDED PRODUCTS  
10000 BRIVIA, OHIO 44130

PRODUCT SERIES  
ULTRALINE™