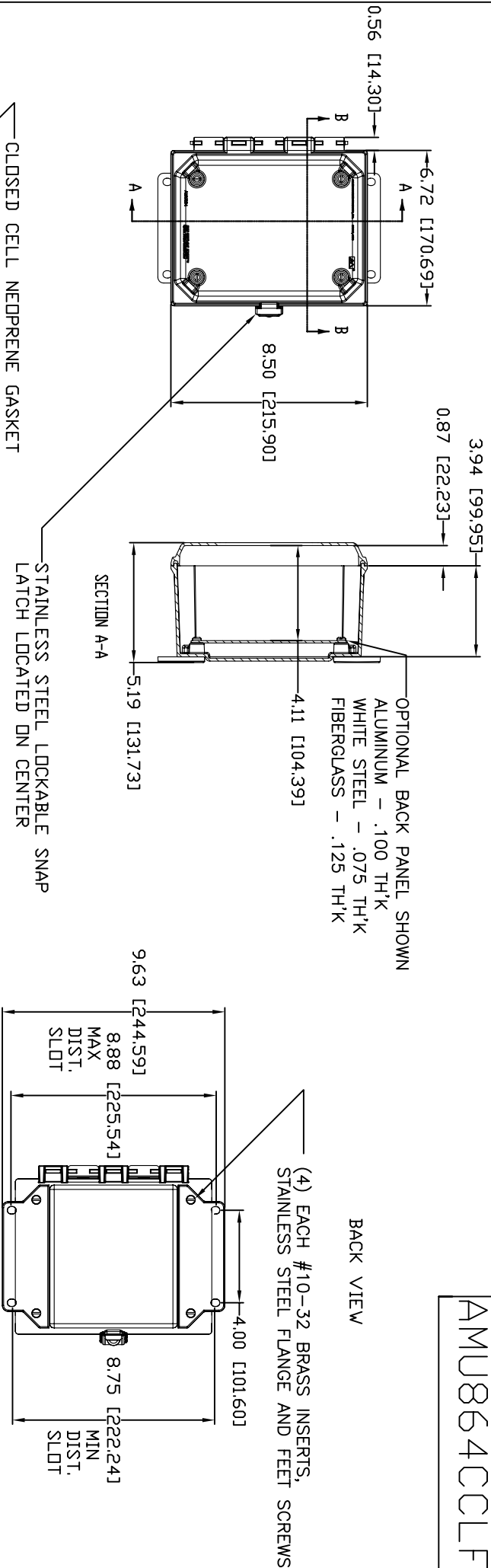


AMU864CCLF



MATERIAL:
 BOX-COMPRESSION MOLDED FIBERGLASS REINFORCED POLYESTER
 COVER-COMPRESSION MOLDED FIBERGLASS AND REINFORCED POLYESTER
 CLEAR COVER AND WINDOWS-POLYCARBONATE

CONFIDENTIAL
 THE ABOVE INFORMATION IS UNCLASSIFIED
 DATE 05/11/07 BY 6032 JRS/STP
 AUTHORITY: 25XCFR1.4
 ALLIED MOLDED PRODUCTS
 10000 W. 10th Ave., Suite 100, Denver, CO 80202
 (303) 751-1000

REV. 3/19/07

ALLIED MOLDED PRODUCTS
 PRODUCT SERIES
 ULTRALINE™