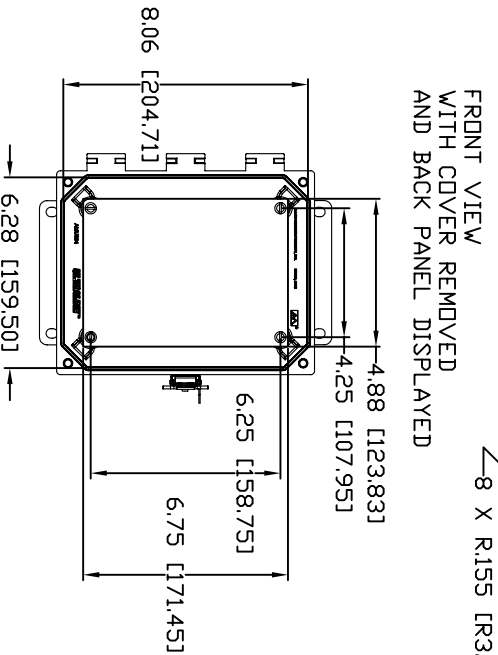
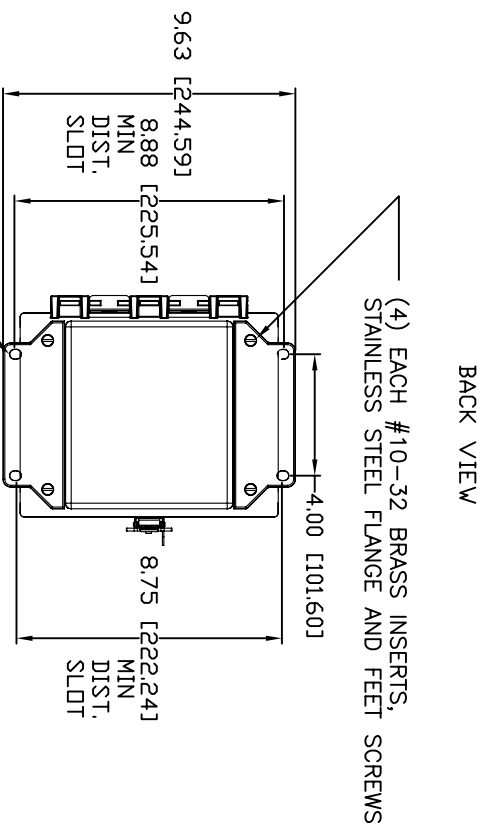
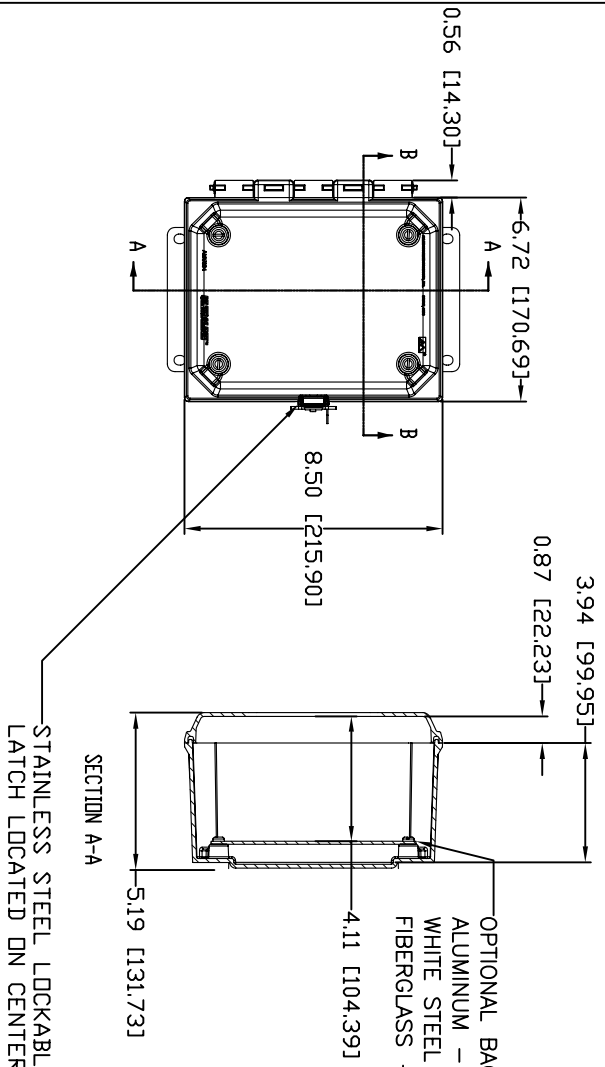


AMU864CCTF



MATERIAL:
 BOX-COMPRESSION MOLDED FIBERGLASS REINFORCED POLYESTER
 COVER-COMPRESSION MOLDED FIBERGLASS AND REINFORCED POLYESTER
 CLEAR COVER AND WINDOWS-POLYCARBONATE

REV. 3/19/07

CONFIDENTIAL

THE ABOVE INFORMATION IS UNCLASSIFIED
 UNLESS INDICATED OTHERWISE. IT IS THE POLICY OF THE
 NATIONAL ARCHIVES TO MAKE ALL INFORMATION IN THIS
 COLLECTION AVAILABLE TO THE PUBLIC UNLESS INDICATED
 OTHERWISE. FOR MORE INFORMATION CONTACT THE NATIONAL
 ARCHIVES AT COLLEGE PARK, MARYLAND.

ALLIED MOLDED PRODUCTS
 10000 BRIVALLA DRIVE, CLEVELAND, OHIO 44130

PRODUCT SERIES
 ULTRALINE™