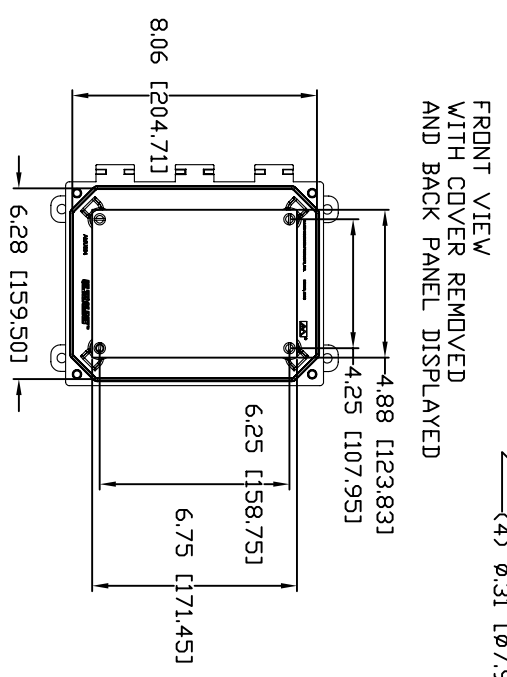
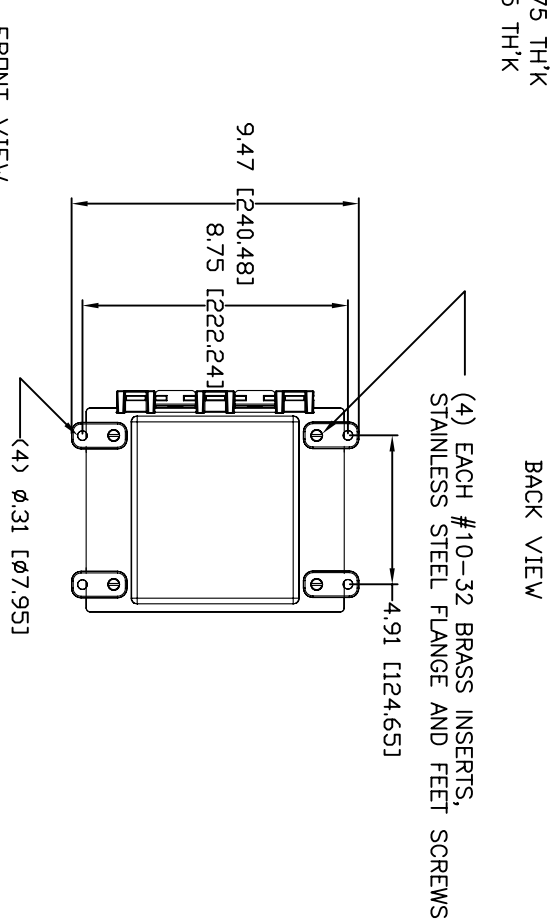
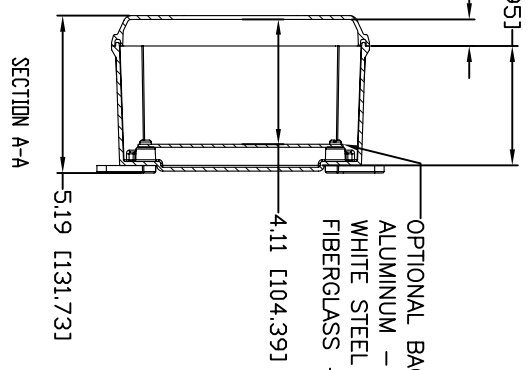
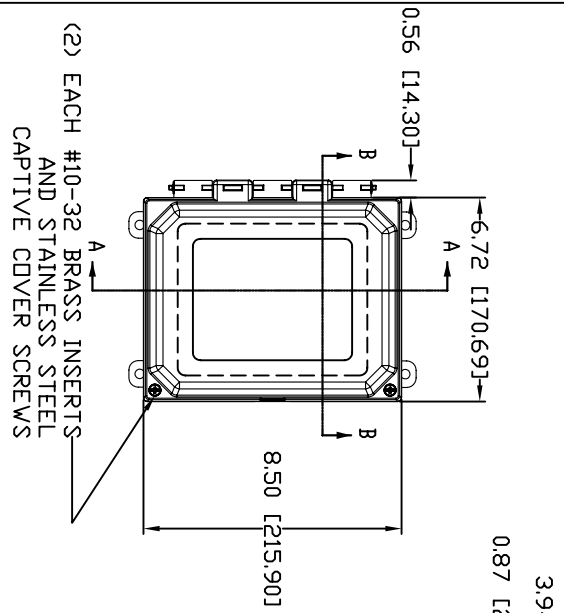


AMU864HW



STAINLESS STEEL HINGE PIN AND 2 STAINLESS STEEL PUSH NUT FASTENERS

MATERIAL:
 BOX-COMPRESSION MOLDED FIBERGLASS REINFORCED POLYESTER
 COVER-COMPRESSION MOLDED FIBERGLASS AND REINFORCED POLYESTER
 CLEAR COVER AND WINDOWS-POLYCARBONATE

REV. 3/19/07

CONFIDENTIAL

THESE MATERIALS, METHODS AND PROCESSES ARE THE PROPERTY OF ALLIED WILCOX AND COMPANY, INC. AND ARE TO BE KEPT CONFIDENTIAL AND NOT REPRODUCED OR TRANSMITTED IN ANY FORM OR BY ANY MEANS, ELECTRONIC OR MECHANICAL, INCLUDING PHOTOCOPYING, RECORDING, OR BY ANY INFORMATION STORAGE AND RETRIEVAL SYSTEM, WITHOUT PERMISSION FROM ALLIED WILCOX PRODUCTS.

ALLIED WILCOX PRODUCTS
 10000 BRYAN, OHIO 44804-1000

PRODUCT SERIES
 ULTRALINE™