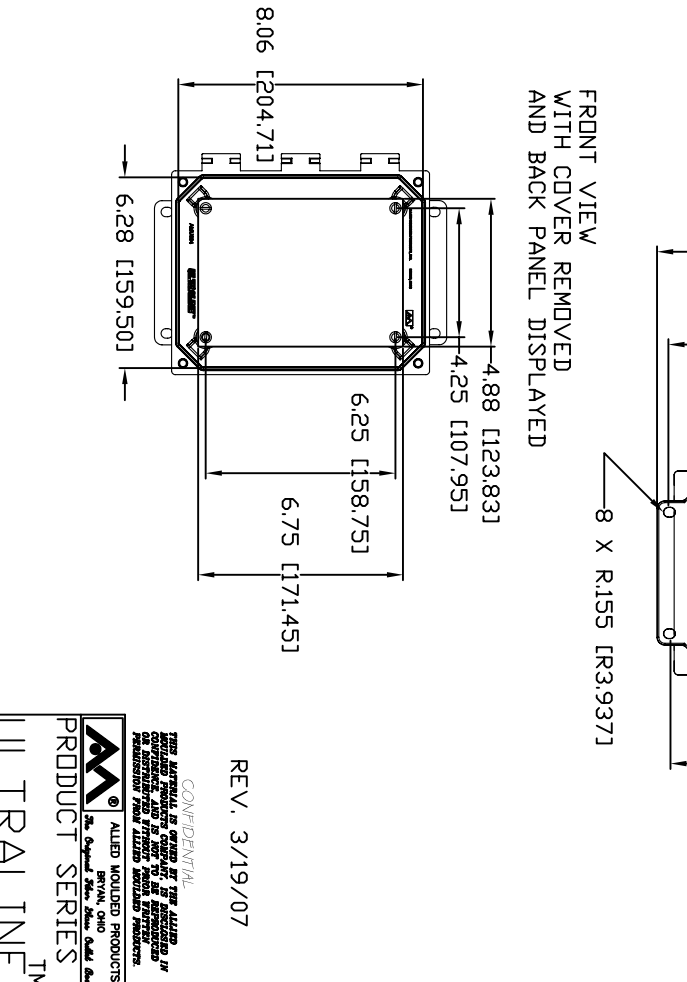
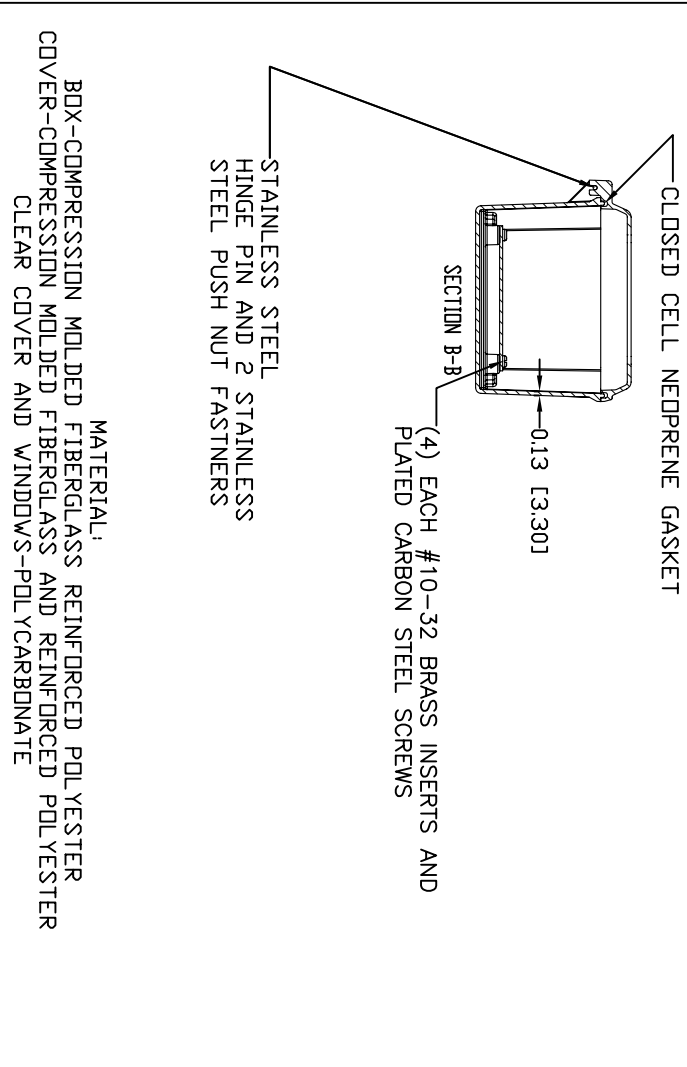
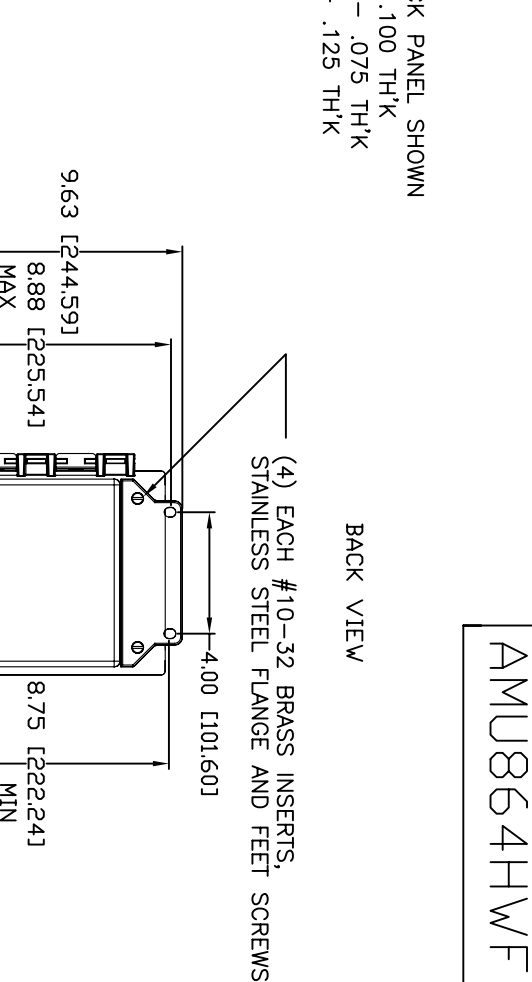
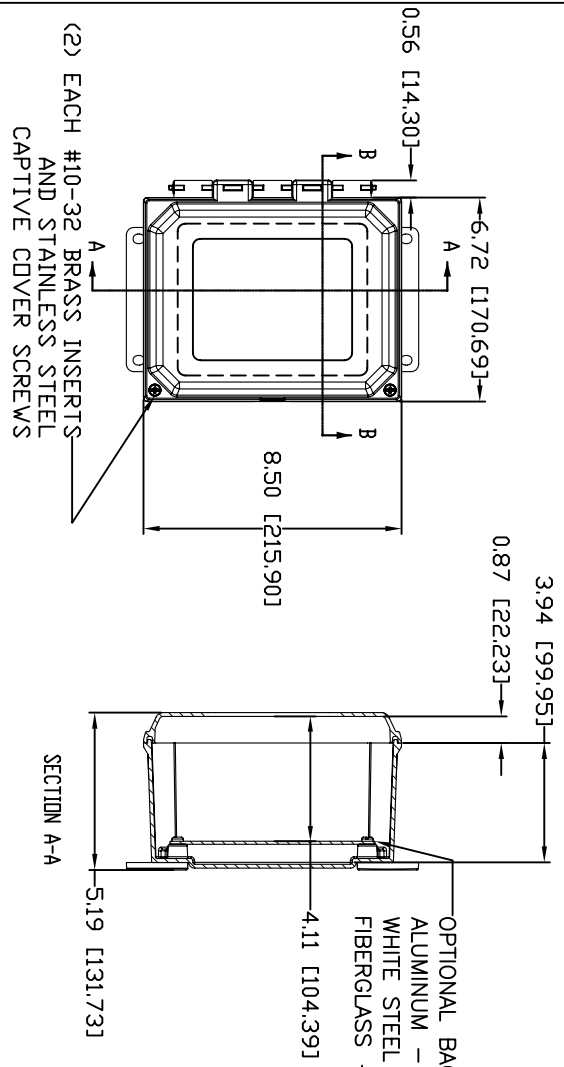


AMU864HWF



REVISIONS:
 REV. 3/19/07

CONFIDENTIAL
 THE ABOVE INFORMATION IS UNCLASSIFIED
 UNLESS INDICATED OTHERWISE IN
 THE MARGIN. THIS INFORMATION IS
 UNCLASSIFIED AND IS TO BE RELEASED
 TO THE PUBLIC ON REQUEST WITHOUT
 PERMISSION FROM ALLIED WOODWARD PRODUCTS

ALLIED WOODWARD PRODUCTS
 10000 BRYAN, OHIO 44809-0001
 © 2007

PRODUCT SERIES
 ULTRALINE™

MATERIAL:
 BOX-COMPRESSION MOLDED FIBERGLASS REINFORCED POLYESTER
 COVER-COMPRESSION MOLDED FIBERGLASS AND REINFORCED POLYESTER
 CLEAR COVER AND WINDOWS-POLYCARBONATE