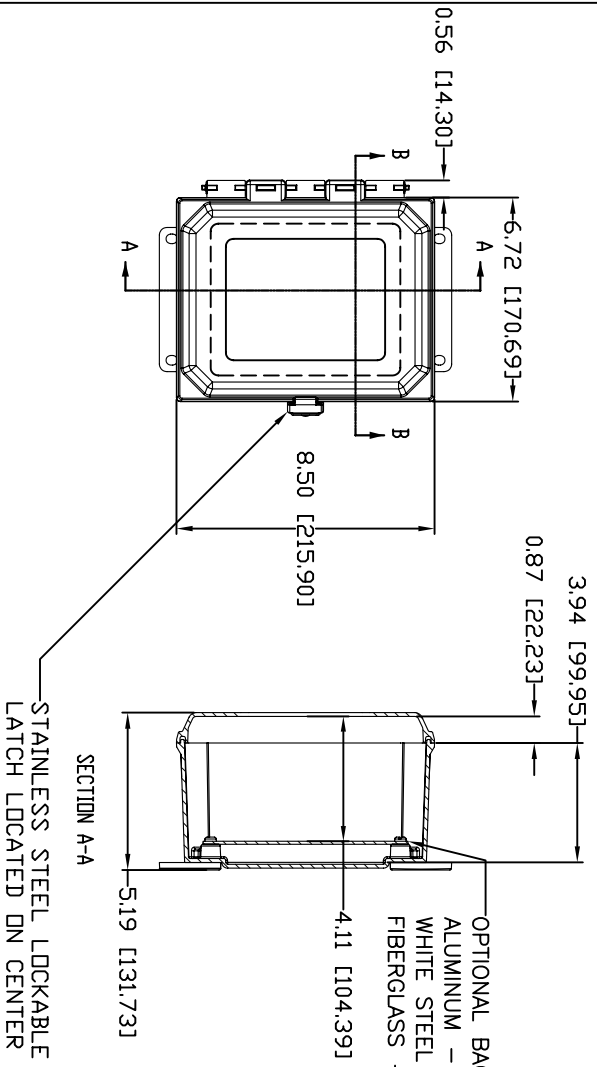
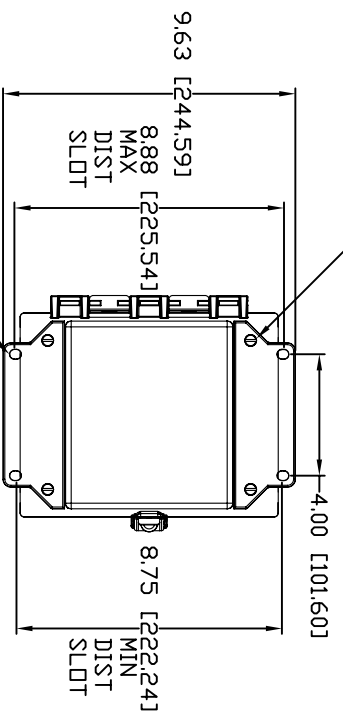


AMU864LWF

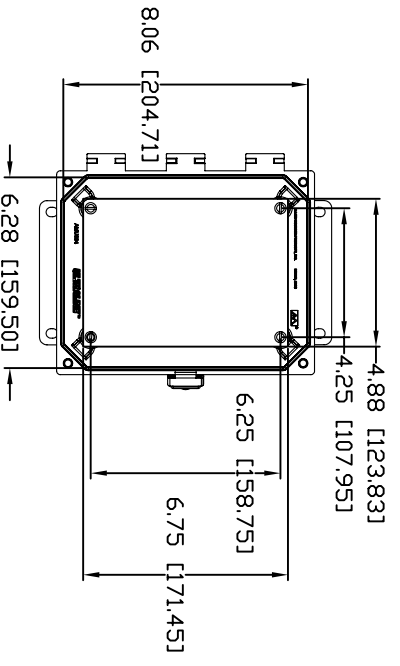


OPTIONAL BACK PANEL SHOWN  
 ALUMINUM - .100 TH'K  
 WHITE STEEL - .075 TH'K  
 FIBERGLASS - .125 TH'K



BACK VIEW

FRONT VIEW  
 WITH COVER REMOVED  
 AND BACK PANEL DISPLAYED



REV. 3/19/07

STAINLESS STEEL  
 HINGE PIN AND 2 STAINLESS  
 STEEL PUSH NUT FASTENERS

CLOSED CELL NEOPRENE GASKET

(4) EACH #10-32 BRASS INSERTS AND  
 PLATED CARBON STEEL SCREWS

SECTION A-A  
 STAINLESS STEEL LOCKABLE SNAP  
 LATCH LOCATED ON CENTER

MATERIAL:  
 BOX-COMPRESSION MOLDED FIBERGLASS REINFORCED POLYESTER  
 COVER-COMPRESSION MOLDED FIBERGLASS AND REINFORCED POLYESTER  
 CLEAR COVER AND WINDOWS-POLYCARBONATE

CONFIDENTIAL - THE ALLED  
 MANUFACTURING COMPANY IS NOT  
 RESPONSIBLE FOR ANY REPRODUCTION  
 OR DISTRIBUTION OF THIS DOCUMENT  
 WITHOUT THE WRITTEN PERMISSION OF  
 THE ALLED MANUFACTURING COMPANY

ALLIED MANUFACTURING PRODUCTS  
 10000 BRIVIA, OHIO 44130

PRODUCT SERIES  
 ULTRALINE™