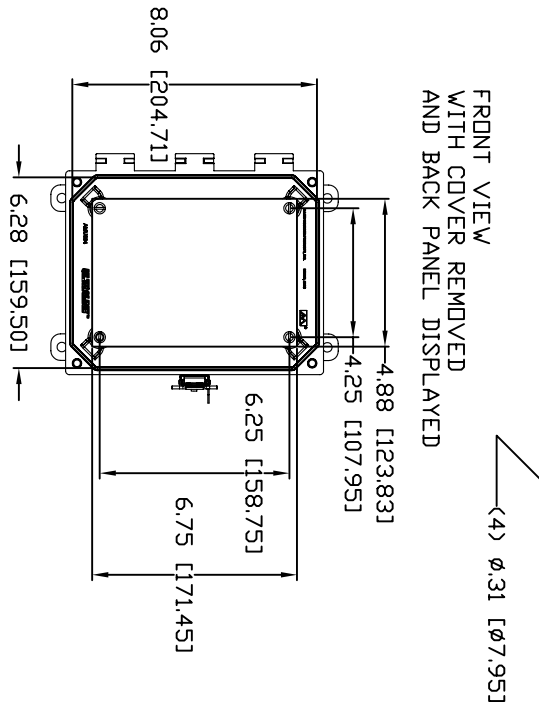
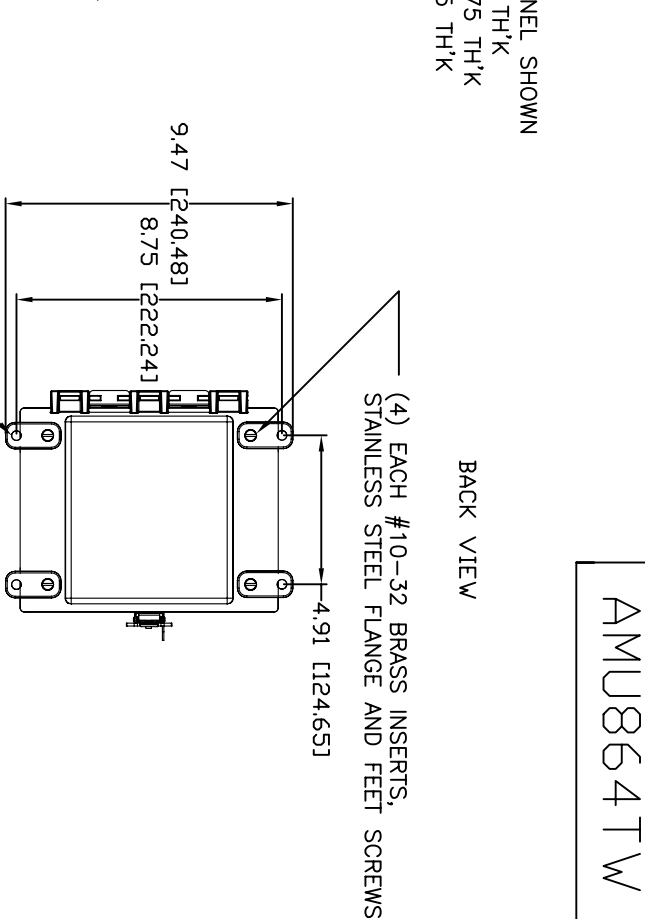
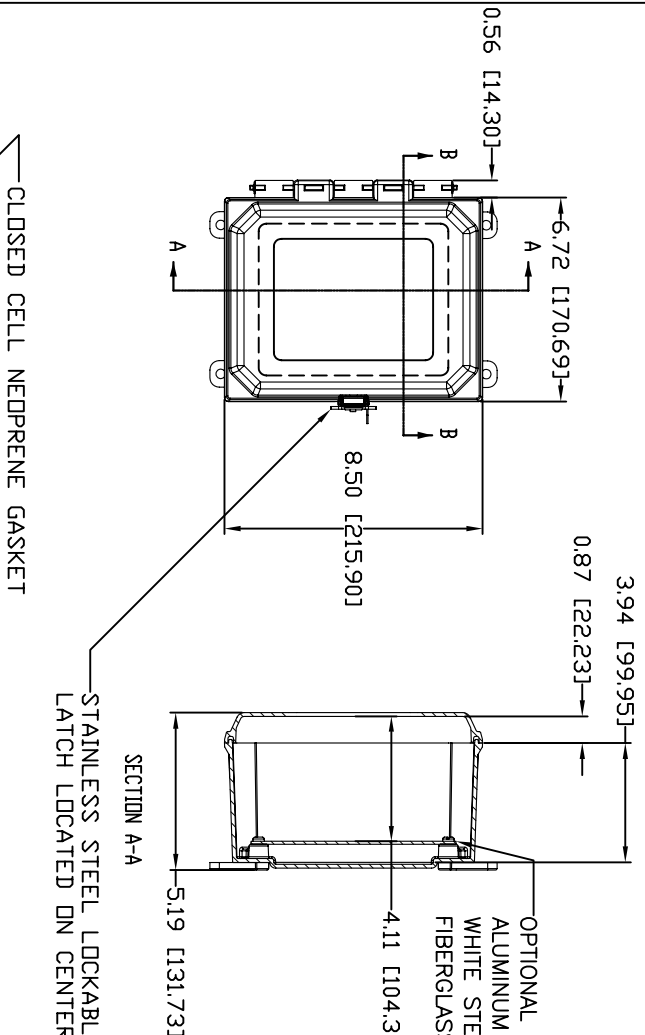


AMU864TW



STAINLESS STEEL HINGE PIN AND 2 STAINLESS STEEL PUSH NUT FASTENERS

MATERIAL:
BOX-COMPRESSION MOLDED FIBERGLASS REINFORCED POLYESTER
COVER-COMPRESSION MOLDED FIBERGLASS AND REINFORCED POLYESTER
CLEAR COVER AND WINDOWS-POLYCARBONATE

REV. 3/19/07

CONFIDENTIAL

THIS DRAWING IS THE PROPERTY OF ALLIED WOUNDED PRODUCTS. IT IS TO BE KEPT IN CONFIDENTIALITY AND NOT TO BE REPRODUCED OR TRANSMITTED IN ANY FORM OR BY ANY MEANS, ELECTRONIC OR MECHANICAL, INCLUDING PHOTOCOPYING, RECORDING, OR BY ANY INFORMATION STORAGE AND RETRIEVAL SYSTEM, WITHOUT THE WRITTEN PERMISSION FROM ALLIED WOUNDED PRODUCTS.

ALLIED WOUNDED PRODUCTS
26000 Brynall, Ohio 44138

PRODUCT SERIES
ULTRALINE™