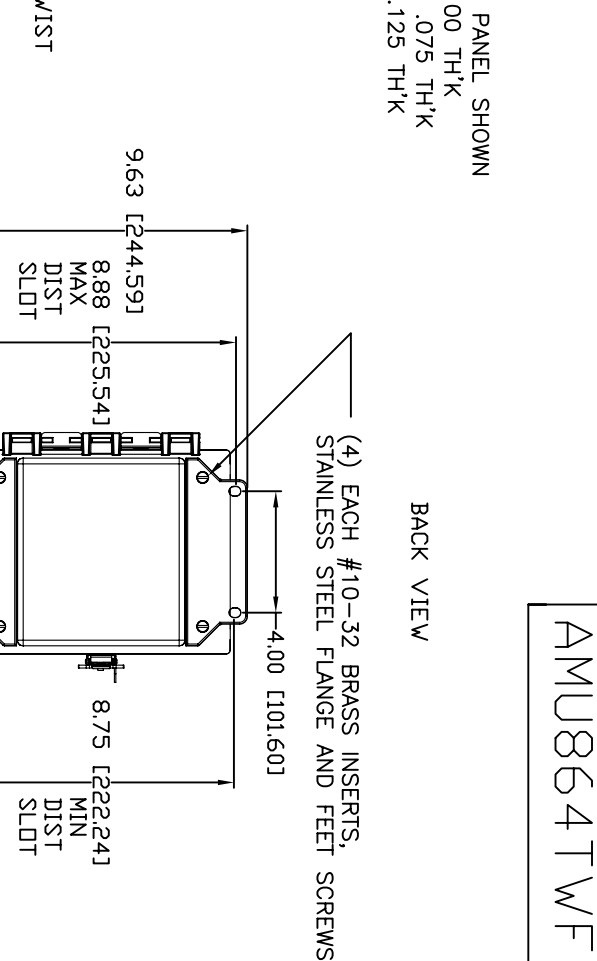
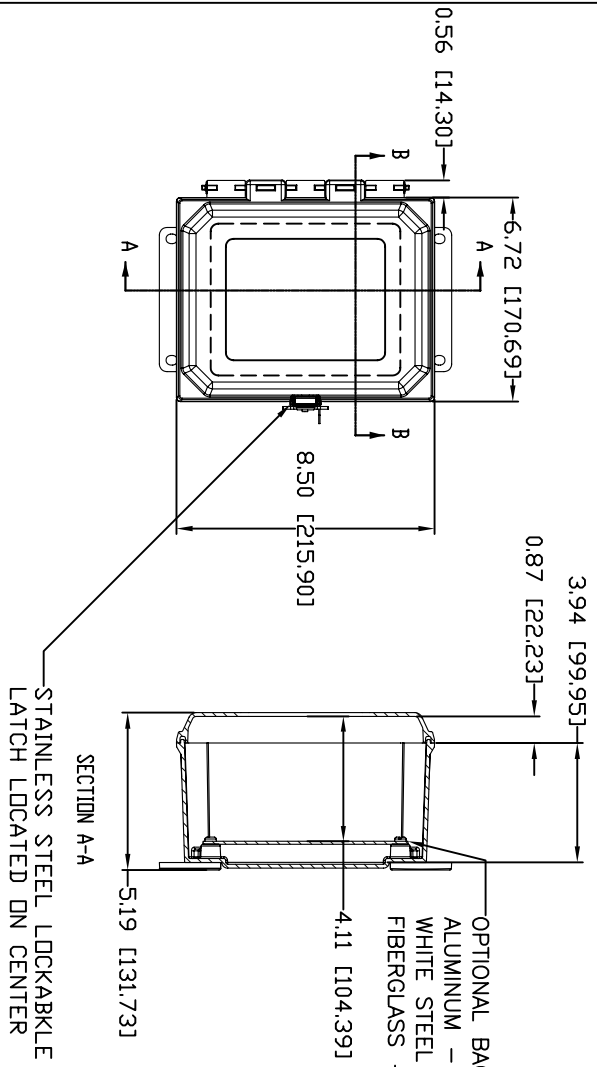


AMU864TWF



CLOSED CELL NEOPRENE GASKET

SECTION B-B

0.13 [3.30]

(4) EACH #10-32 BRASS INSERTS AND PLATED CARBON STEEL SCREWS

STAINLESS STEEL HINGE PIN AND 2 STAINLESS STEEL PUSH NUT FASTENERS

SECTION A-A

5.19 [131.73]

STAINLESS STEEL LOCKABLE TWIST LATCH LOCATED ON CENTER

OPTIONAL BACK PANEL SHOWN

ALUMINUM - .100 TH'K

WHITE STEEL - .075 TH'K

FIBERGLASS - .125 TH'K

3.94 [99.95]

0.87 [22.23]

8.50 [215.90]

6.72 [170.69]

0.56 [14.30]

MATERIAL:

BOX-COMPRESSION MOLDED FIBERGLASS REINFORCED POLYESTER

COVER-COMPRESSION MOLDED FIBERGLASS AND REINFORCED POLYESTER

CLEAR COVER AND WINDOWS-POLYCARBONATE

FRONT VIEW WITH COVER REMOVED AND BACK PANEL DISPLAYED

9.63 [244.59]

8.88 [225.54]

MAX DIST SLOTT

4.88 [123.83]

4.25 [107.95]

8.06 [204.71]

6.28 [159.50]

6.25 [158.75]

6.75 [171.45]

8 X R.155 [R3.9577]

BACK VIEW

(4) EACH #10-32 BRASS INSERTS, STAINLESS STEEL FLANGE AND FEET SCREWS

4.00 [101.60]

8.75 [222.24]

MIN DIST SLOTT

REV. 3/19/07

CONFIDENTIAL

THE ABOVE INFORMATION IS UNCLASSIFIED EXCEPT WHERE SHOWN OTHERWISE AND IS NOT TO BE REPRODUCED OR TRANSMITTED IN ANY FORM OR BY ANY MEANS, ELECTRONIC OR MECHANICAL, INCLUDING PHOTOCOPYING, RECORDING, OR BY ANY INFORMATION STORAGE AND RETRIEVAL SYSTEM, WITHOUT PERMISSION FROM ALLIED MOLDED PRODUCTS

ALLIED MOLDED PRODUCTS

10000 BRIVIA, OHIO 44130

© 2007

PRODUCT SERIES

ULTRALINE™